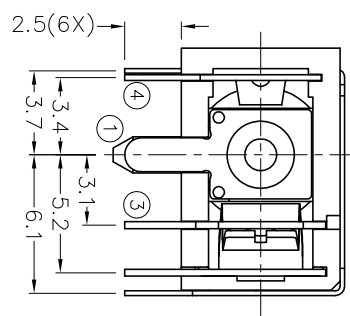
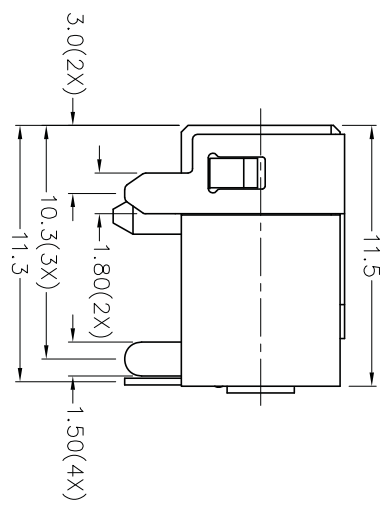
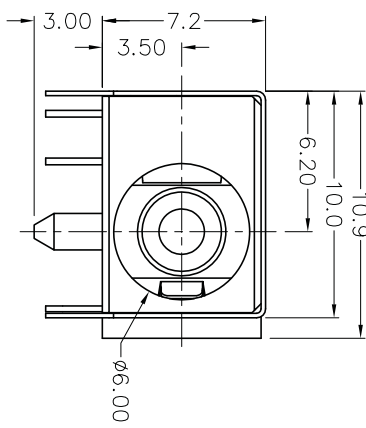
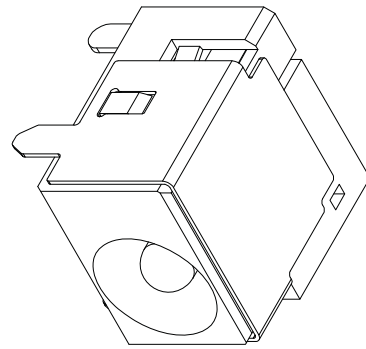


| C | | B | | A | |
|------|--------|----------|----------|------|--|
| ZONE | SYMBOL | REVISION | APPROVAL | DATE | |
| | | | | | |
| | | | | | |
| | | | | | |

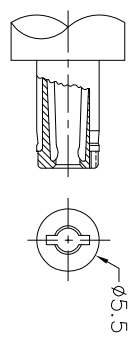
RoHS
Compliant



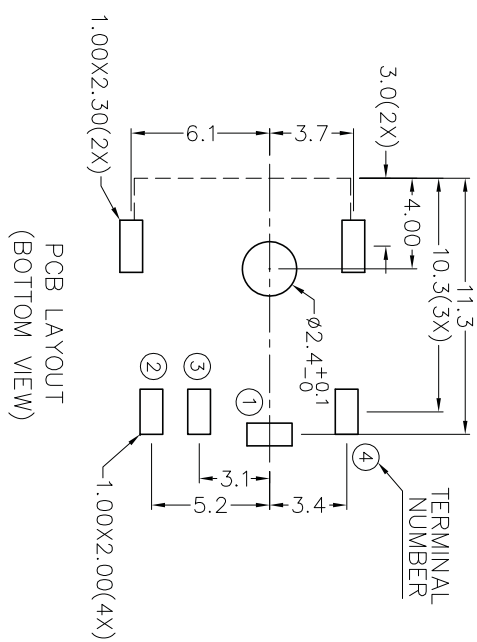
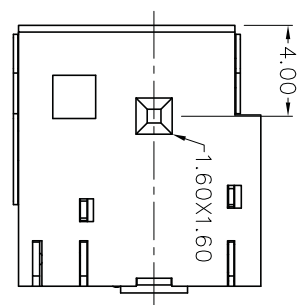
*** MATERIAL**

- CENTRE PIN : COPPER
- TERMINAL 1 : BRASS
- TERMINAL 2 : COPPER ALLOY
- TERMINAL 3 : BRASS
- TERMINAL 4 : COPPER ALLOY
- SHIELD : BRASS
- HOUSING : PBT

| | |
|------------|----------------------|
| MODEL NO. | TDC-074S |
| SCHEMATIC | |
| | |
| CENTER PIN | $\phi 1.65\text{mm}$ |
| | $\phi 2\text{mm}$ |
| | $\phi 2.5\text{mm}$ |



DC MATE PLUG



| | | | | | | | | | | | |
|-----------|--|-----------------|--|----------------------|--|------------|--|----------|--|-----------------|--|
| PART NAME | | DC POWER SOCKET | | TOLERANCE UNLESS | | 0.0±0.2 | | UNIT: | | mm | |
| PART NO. | | TDC-074S | | OTHERWISE SPECIFIED: | | 0.00±0.1 | | mm | | 0.000±0.05 | |
| DESIGN | | X.N.ZHENG | | DATE | | 17-12-2007 | | SCALE | | 3:1 | |
| DRAWING | | X.N.ZHENG | | DATE | | 17-12-2007 | | MATERIAL | | * | |
| CHECK | | | | DATE | | | | DWG. NO. | | TZ\DC074S-FBT/A | |
| APPROVAL | | | | DATE | | | | SHEET | | | |

JOYNet Enterprise Co., Ltd.
Technology * Profession * Service

F E D C B A

4 3 2 1 4 3 2 1 4 3 2 1 4