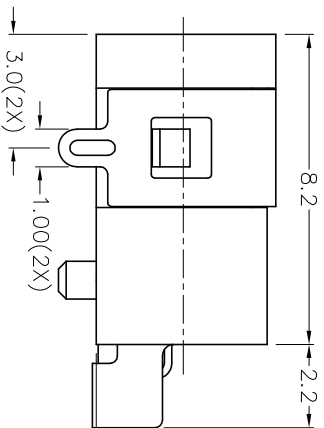
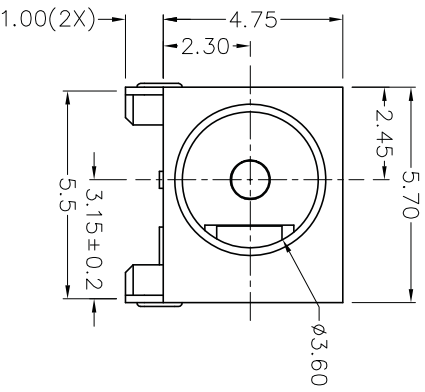
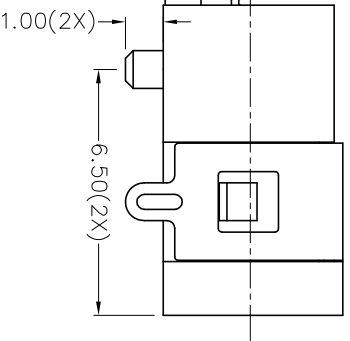
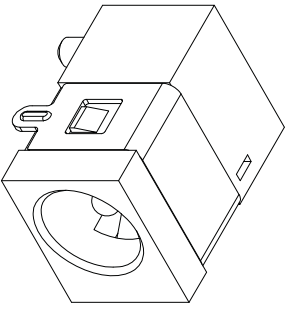
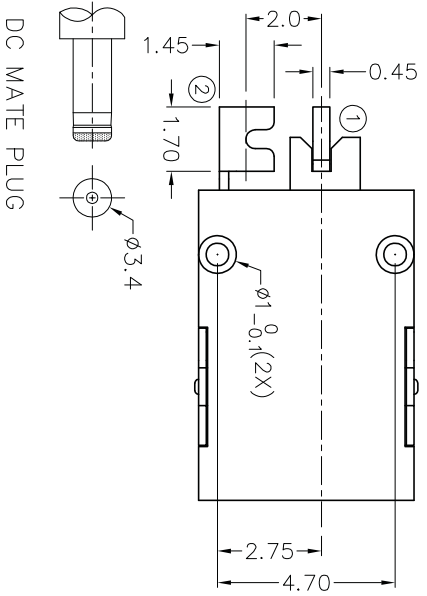


RoHS
Compliant

C		B		A	
ZONE	SYMBOL	REVISION	APPROVAL	DATE	



0.1±0.07(2X)

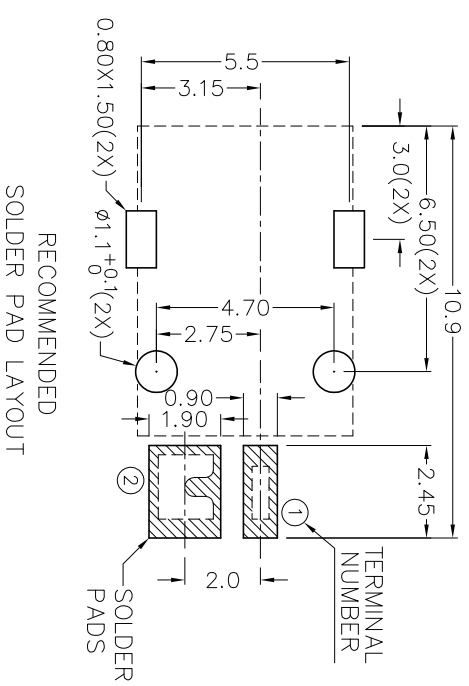


DC MATE PLUG

*** MATERIAL**

TERMINAL 1 : COPPER ALLOY
 TERMINAL 2 : COPPER ALLOY
 SHIELD : BRASS
 HOUSING : PA6T

MODEL NO.	TDC-070DS
SCHEMATIC	
CENTER PIN	φ1mm



RECOMMENDED
SOLDER PAD LAYOUT

PART NAME		SMD DC POWER SOCKET		TOLERANCE UNLESS		0.0±0.2		UNIT:		mm	
PART NO.		TDC-070DS		OTHERWISE SPECIFIED:		0.000±0.05		DRAWING		G.P.YI	
DESIGN		G.P.YI		DATE		5-7-2007		SCALE		5:1	
CHECK		G.P.YI		DATE		5-7-2007		MATERIAL		*	
APPROVAL		DATE		DATE		DWG. NO.		TZY/D0070DS-PA6T/A		SHEET	

JOYNet Enterprise Co., Ltd.
 * Technology
 * Profession
 * Service