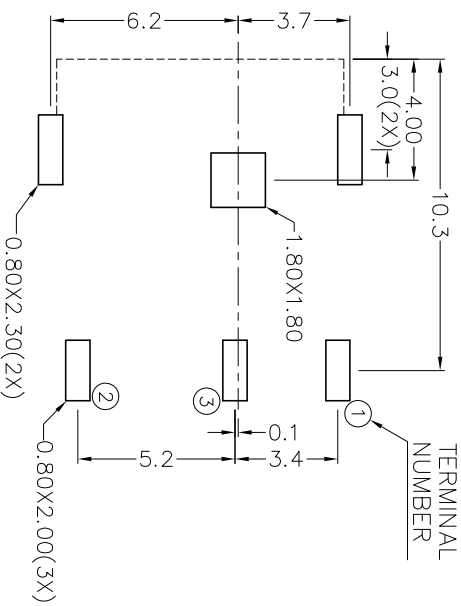
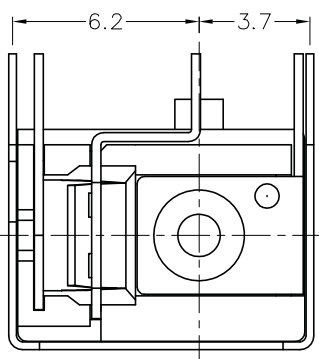
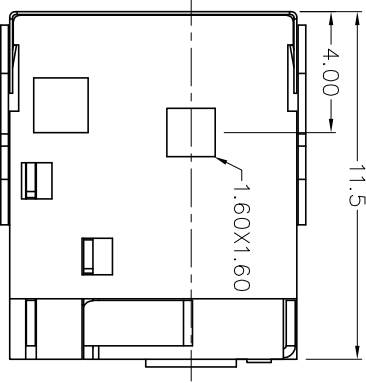
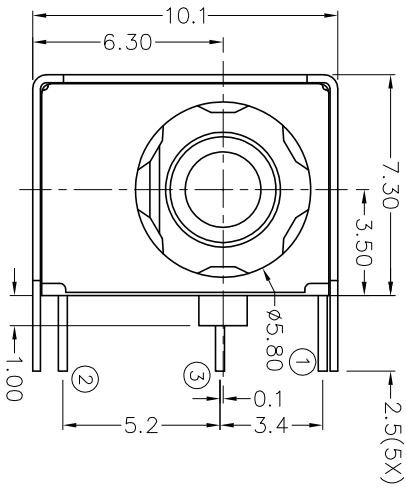
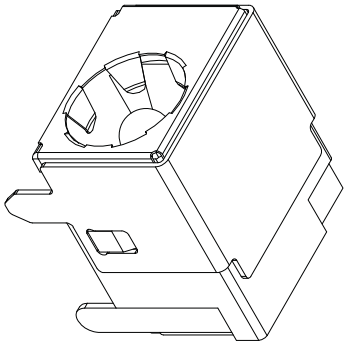


RoHS
Compliant

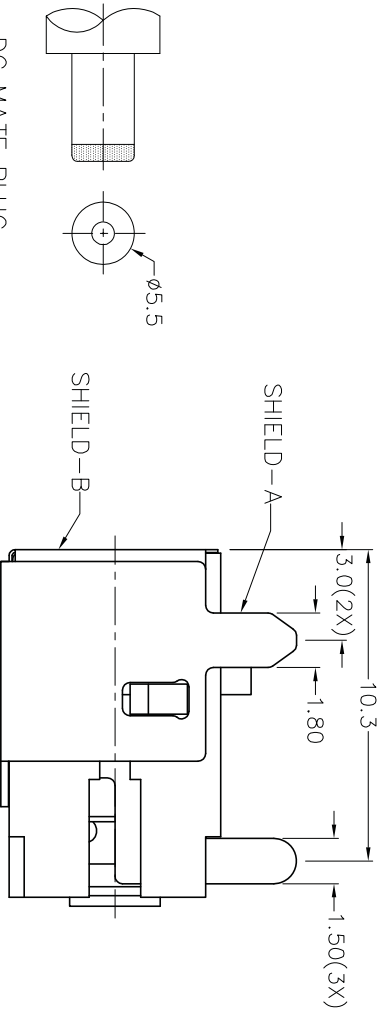
C		B		A	
ZONE	SYMBOL	REVISION	APPROVAL	DATE	
C4		ADD CENTER PIN ITEM	J.X.KUANG	17-9-2007	



PCB LAYOUT
(BOTTOM VIEW)

* MATERIAL

- CENTRE PIN : COPPER
- TERMINAL 1 : BRASS
- TERMINAL 2 : COPPER ALLOY
- TERMINAL 3 : BRASS
- SHIELD-A : BRASS
- SHIELD-B : STAINLESS STEEL
- HOUSING : PBT



DC MATE PLUG

MODEL NO.	TDC-069HS
SCHEMATIC	
CENTER PIN	φ2mm
	φ2.5mm

		Technology Profession Service	
PART NAME	HIGH CURRENT DC POWER SOCKET	TOLERANCE UNLESS	0.0±0.2
PART NO.	TDC-069HS	OTHERWISE SPECIFIED:	0.00±0.1 0.000±0.05
		UNIT:	mm

C		B		A	
DESIGN	G.P.YI	DATE	1-3-2007	SCALE	4:1
DRAWING	T.Y.LI	DATE	17-9-2007	MATERIAL	*
CHECK		DATE		DWG. NO.	TZ\DC069HS-PBT/B
APPROVAL		DATE		SHEET	