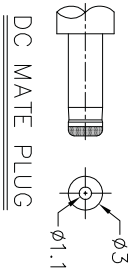
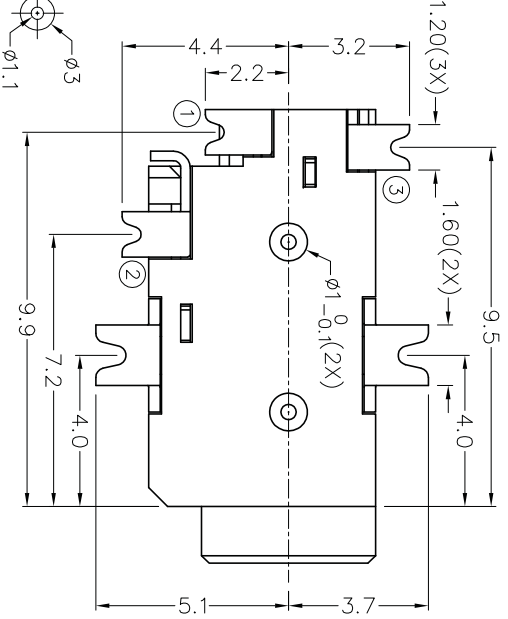
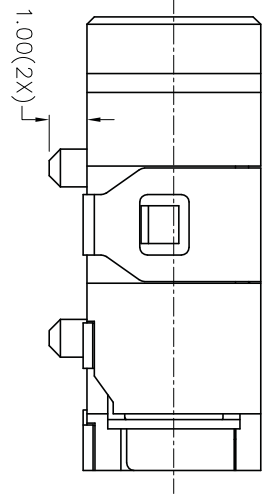
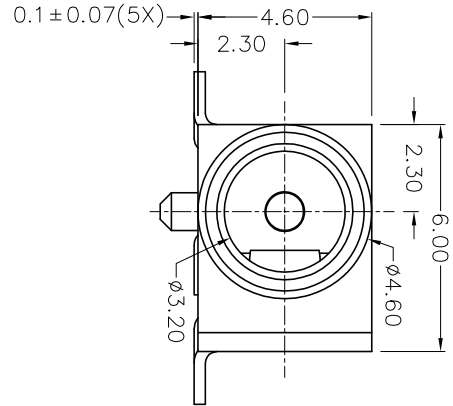
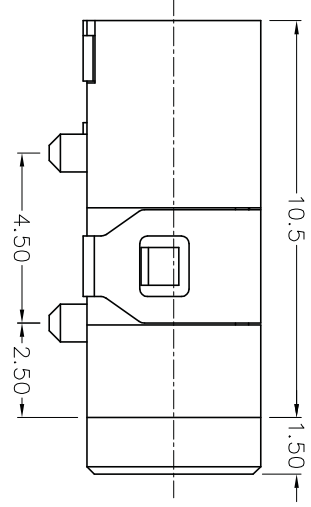
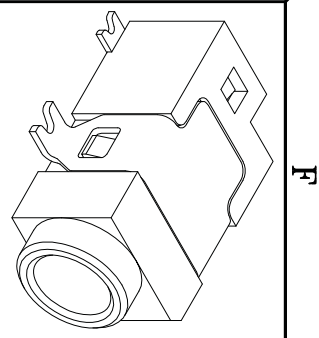


RoHS
Compliant

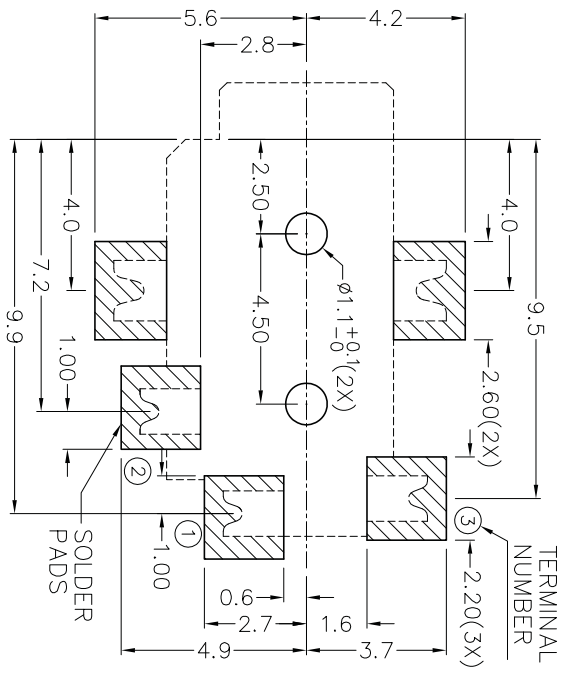
ZONE	SYMBOL	REVISION	APPROVAL	DATE



DC MATE PLUG

MODEL NO.	TDC-067DS
SCHEMATIC	
CENTER PIN	Ø1mm

*** MATERIAL**
 TERMINAL 1 : BRASS
 TERMINAL 2 : COPPER ALLOY
 TERMINAL 3 : BRASS
 SHIELD : C.R.STEEL
 HOUSING : PA6T



RECOMMENDED
SOLDER PAD LAYOUT

JOYNet Enterprise Co., Ltd.
Technology * Profession * Service

PART NAME	SMD DC POWER SOCKET	TOLERANCE UNLESS	0.0±0.2	UNIT:	mm	DESIGN	T.Y.LI	DATE	6-4-2006	SCALE	5:1
PART NO.	TDC-067DS	OTHERWISE SPECIFIED:	0.00±0.1			DRAWING	T.Y.LI	DATE	6-4-2006	MATERIAL	*
			0.000±0.05			CHECK		DATE		DWG. NO.	ITZ\DC067DS-PA6T/A
						APPROVAL		DATE		SHEET	

F

E

D

C

B

A

DCF-04/A