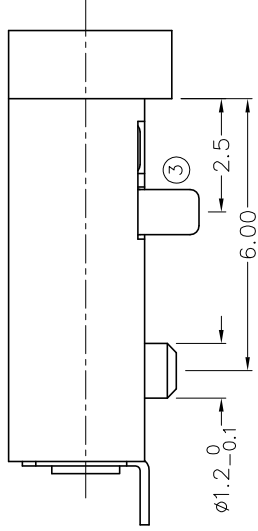
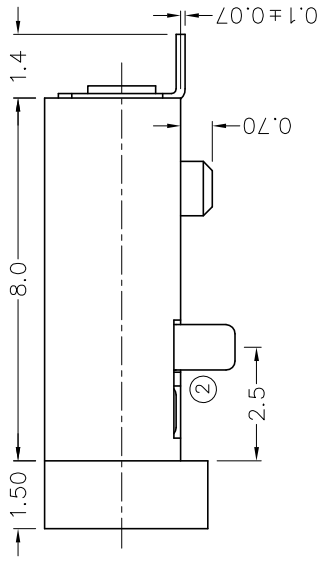
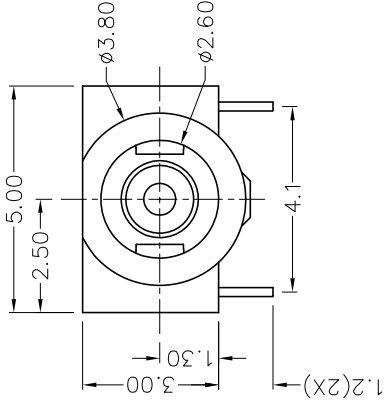
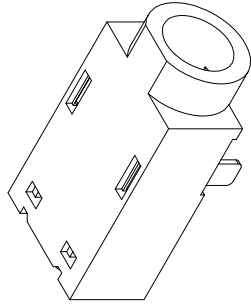


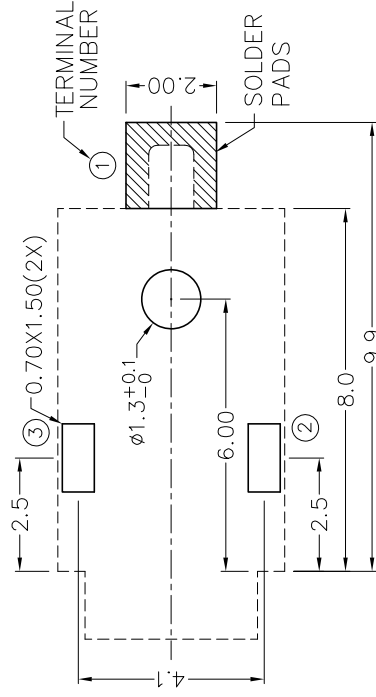
F		E		D		C		B		A	
1		2		3		4		1		2	
RoHS Compliant		SYMBOL		REVISION		APPROVAL		DATE			
		ADD MATE PLUG		J.X.KUANG 30-9-2006							



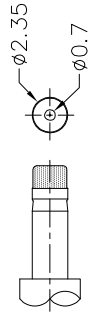
* MATERIAL

- CENTRE PIN : COPPER
- TERMINAL 1 : BRASS
- TERMINAL 2 : COPPER ALLOY
- TERMINAL 3 : COPPER ALLOY
- HOUSING : PA6T

MODEL NO.	TDC-064D-3
SCHEMATIC	1 2 3
CENTER PIN	ø0.65mm



RECOMMENDED
SOLDER PAD LAYOUT



DC MATE PLUG



PART NAME		SMD DC POWER SOCKET	TOLERANCE UNLESS	0.0±0.2	DESIGN	T.Y.LI	DATE	22-9-2005	SCALE	6:1
PART NO.		TDC-064D-3	OTHERWISE SPECIFIED:	0.00±0.1 0.000±0.05	DRAWING	L.L.ZHANG	DATE	30-9-2006	MATERIAL	*
					CHECK		DATE		DWG. NO.	ITZ\DC064D-3-PA6T/B
					APPROVAL		DATE		SHEET	
F		D		C		B		A		DCF-04/A