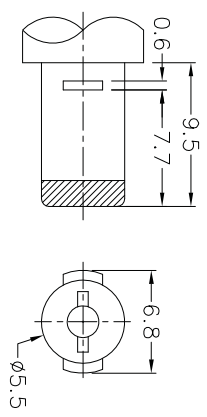
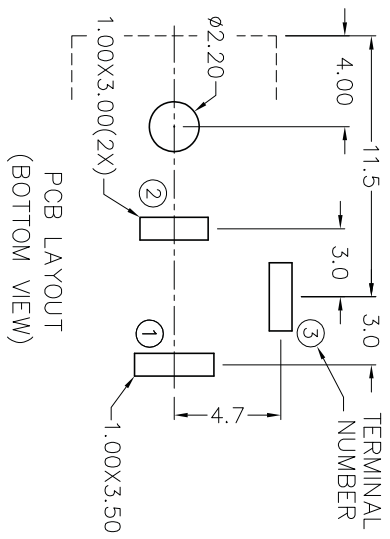
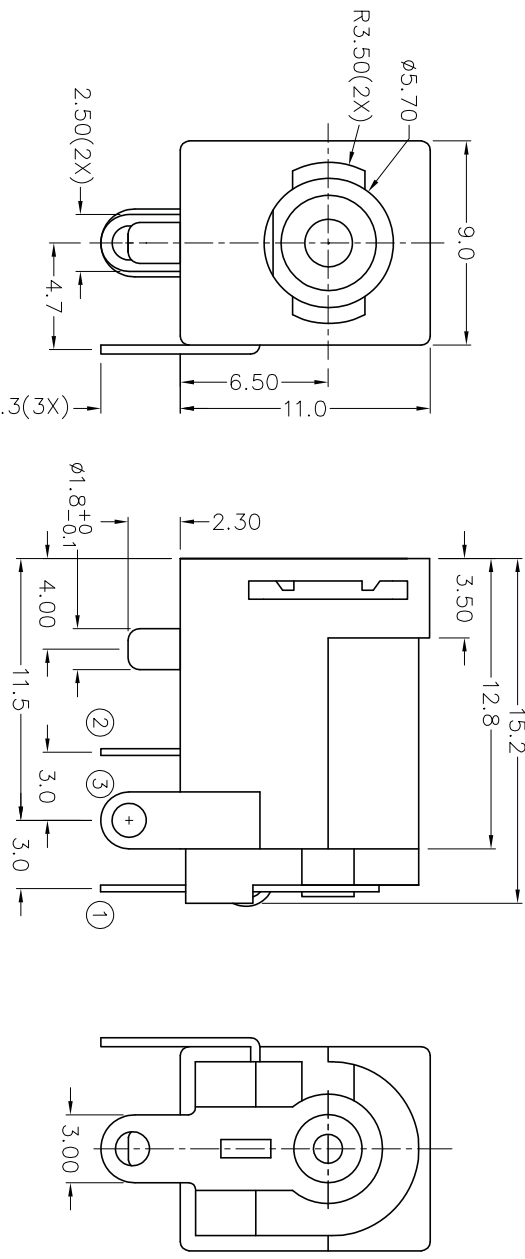
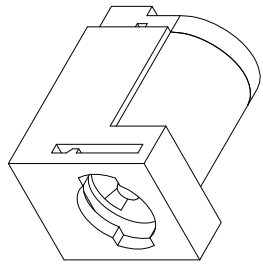


RoHS
Compliant

ZONE	SYMBOL	REVISION	APPROVAL	DATE
		ADD MATE PLUG	J.X.KUANG	30-9-2006



DC SPECIAL MATE PLUG

MODEL NO.	TDC-062
SCHEMATIC	
CENTER PIN	φ2mm
	φ2.5mm

* MATERIAL
 CENTRE PIN : COPPER
 TERMINAL 1 : BRASS
 TERMINAL 2 : COPPER ALLOY
 TERMINAL 3 : BRASS
 HOUSING : PBT
 COVER : PBT

		Technology * Profession * Service	
PART NAME	DC POWER SOCKET	TOLERANCE UNLESS	0.0±0.2
PART NO.	TDC-062	OTHERWISE SPECIFIED:	0.00±0.1 0.000±0.05
		UNIT:	mm
DESIGN	L.L.ZHANG	DATE	1-11-2005
DRAWING	L.L.ZHANG	DATE	30-9-2006
CHECK		DATE	
APPROVAL		DATE	
		SCALE	3:1
		MATERIAL	*
		DWG. NO.	TZ\DC062-PBT/B
		SHEET	

F

E

D

C

B

A

4

3

2

1

4

3

2

1

DCF-04/A