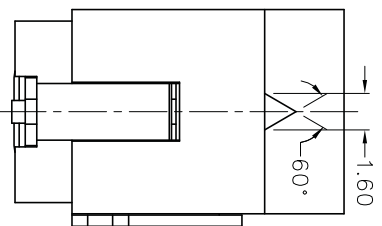
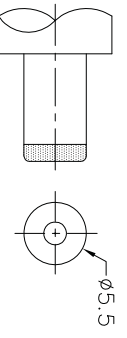
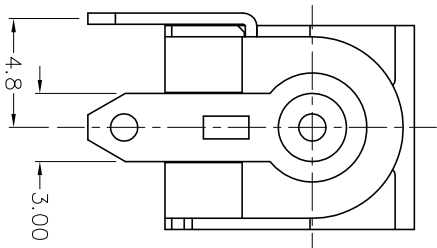
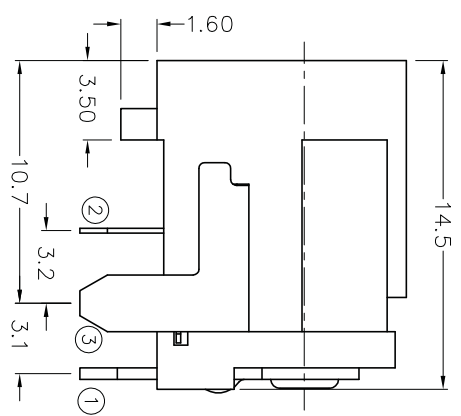
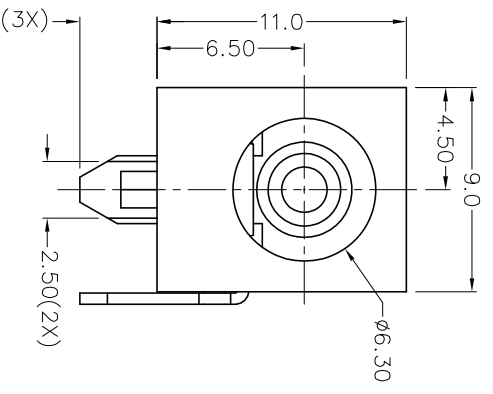
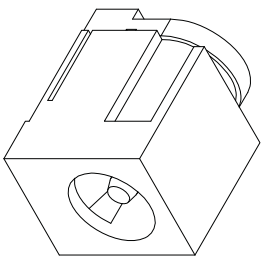


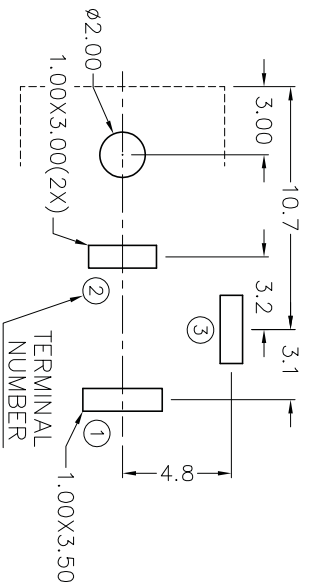
ZONE	SYMBOL	REVISION	APPROVAL	DATE
		ADD MATE PLUG	J.X.KUANG	30-9-2006

RoHS
Compliant



MODEL NO.	TDC-061
SCHEMATIC	
CENTER PIN	φ2mm
	φ2.5mm

* MATERIAL
 CENTRE PIN : COPPER
 TERMINAL 1 : BRASS
 TERMINAL 2 : COPPER ALLOY
 TERMINAL 3 : BRASS
 HOUSING : PBT
 COVER : PBT



PCB LAYOUT
(BOTTOM VIEW)

DC MATE PLUG

JOYNet Enterprise Co., Ltd.
 Technology
 Profession
 Service

PART NAME	DC POWER SOCKET	TOLERANCE UNLESS	0.0±0.2	UNIT:	mm	DESIGN	J.JIANG	DATE	8-12-2004	SCALE	3:1
PART NO.	TDC-061	OTHERWISE SPECIFIED:	0.00±0.1			DRAWING	L.L.ZHANG	DATE	30-9-2006	MATERIAL	*
			0.000±0.05			CHECK		DATE		DWG. NO.	TZ\DC061-PBT/B
						APPROVAL		DATE		SHEET	

F

E

D

C

B

A

DCF-04/A

4

3

2

1

4

3

2

1