

DC MATE PLUG

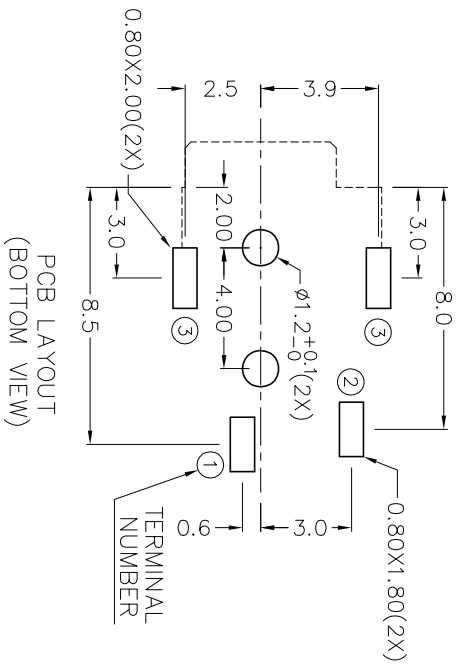
**RoHS**  
Compliant

ZONE	SYMBOL	REVISION	APPROVAL	DATE
		ADD RoHS Compliant	J.X.KUANG	25-7-2006

**\* MATERIAL**

TERMINAL 1 : BRASS  
 TERMINAL 2 : COPPER ALLOY  
 TERMINAL 3 : COPPER ALLOY  
 HOUSING : PA66

MODEL NO.	TDC-060
SCHEMATIC	
CENTER PIN	$\phi 1\text{mm}$



**JOYNet Enterprise Co., Ltd.**  
 Technology  
 Professor  
 Service

PART NAME	DC POWER SOCKET	TOLERANCE UNLESS	0.0±0.2	UNIT:	mm	DESIGN	J.JIANG	DATE	9-12-2004	SCALE	4:1
PART NO.	TDC-060	OTHERWISE SPECIFIED:	0.00±0.1 0.000±0.05			DRAWING	T.Y.LI	DATE	25-7-2006	MATERIAL	*
						CHECK		DATE		DWG. NO.	ITZYDC060-PA66/B
						APPROVAL		DATE		SHEET	

**F** **E** **D** **C** **B** **A** DCF-04/A