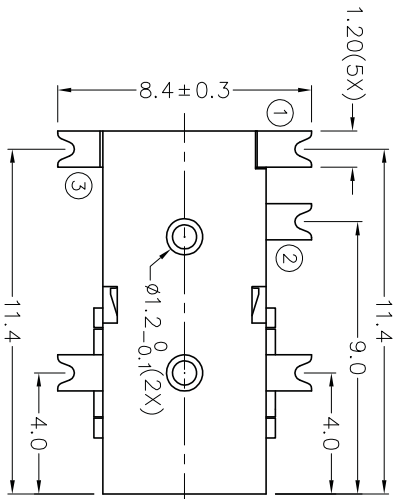
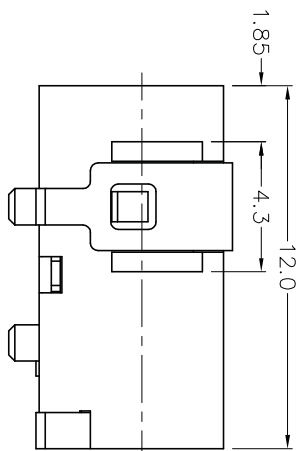
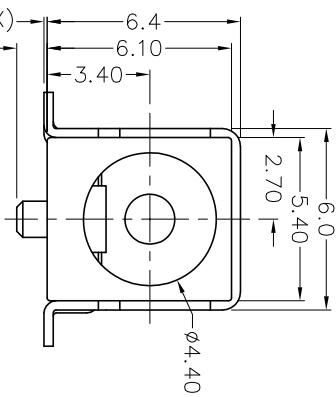
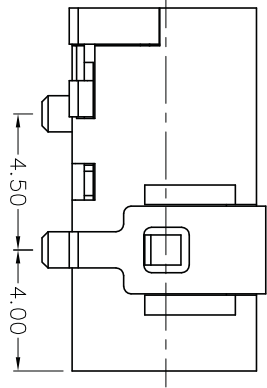
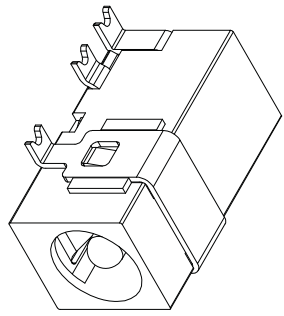


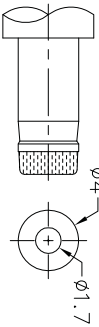
**RoHS**  
Compliant

C		B		A	
ZONE	SYMBOL	REVISION	APPROVAL	DATE	
		ADD MATE PLUG	J.X.KUANG	25-7-2006	



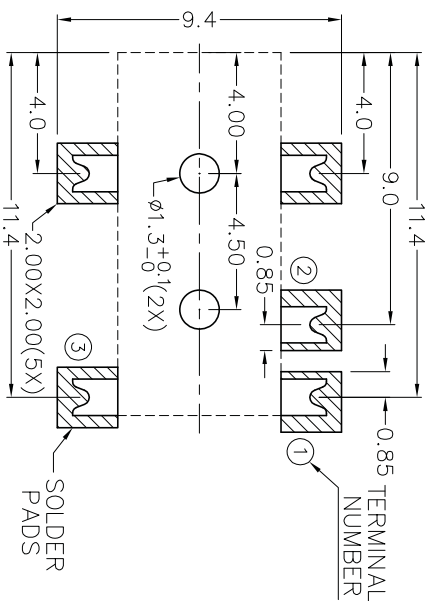
0.1±0.07(5X)  
1.00(2X)

\* MATERIAL  
 TERMINAL 1 : BRASS  
 TERMINAL 2 : COPPER ALLOY  
 TERMINAL 3 : BRASS  
 SHIELD : BRASS  
 HOUSING : PA6T



DC MATE PLUG

MODEL NO.	TDC-059DS
SCHEMATIC	
CENTER PIN	$\phi 1.65\text{mm}$



RECOMMENDED  
SOLDER PAD LAYOUT

PART NAME		SMD DC POWER SOCKET		TOLERANCE UNLESS		0.0±0.2		UNIT:		mm	
PART NO.		TDC-059DS		OTHERWISE SPECIFIED:		0.00±0.05					
DESIGN		J.X.KUANG		DATE		18-9-2004		SCALE		4:1	
DRAWING		T.Y.LI		DATE		25-7-2006		MATERIAL		*	
CHECK				DATE				DWG. NO.		TZ\DC059DS-Pa6T/B	
APPROVAL				DATE				SHEET			

**JOYNet Enterprise Co., Ltd.**

Technology  
Profession  
Service

F

E

D

C

B

A

DCF-04/A

4

3

2

1

4

3

2

1