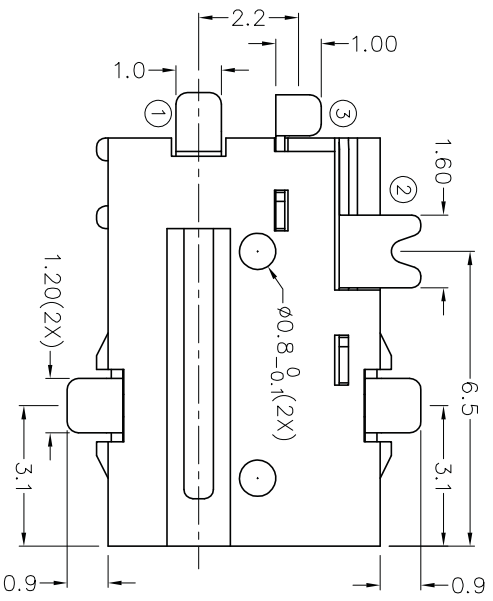
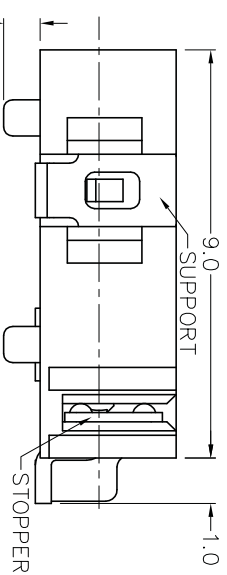
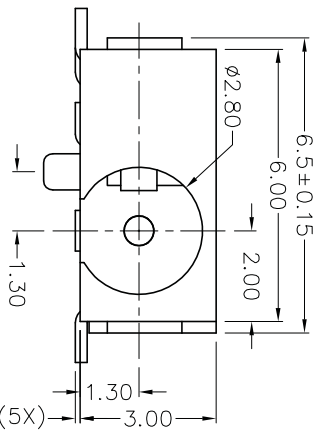
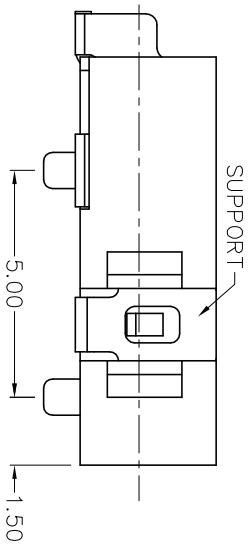
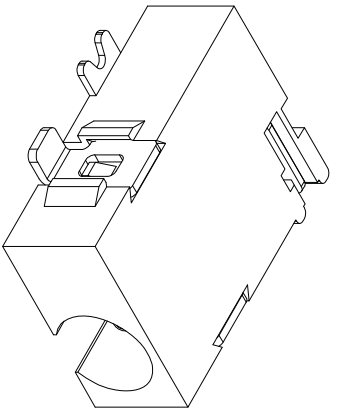


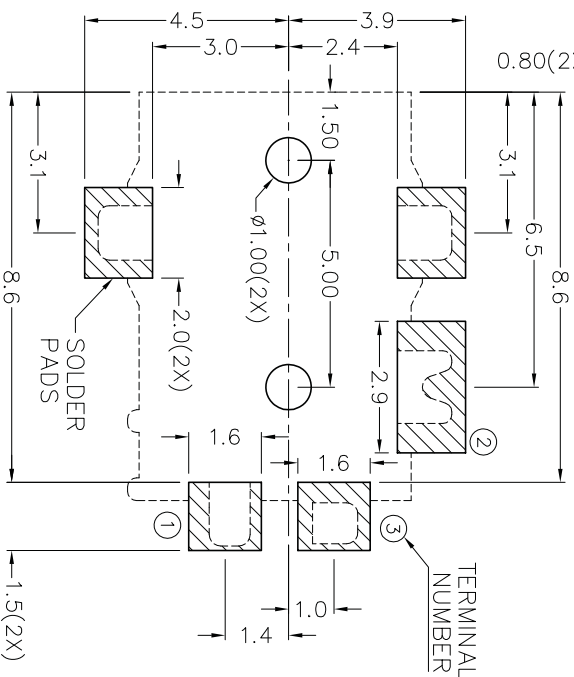
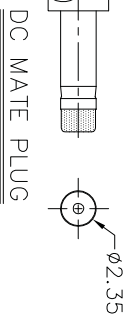
RoHS
Compliant

ZONE	SYMBOL	REVISION	APPROVAL	DATE
		ADD MATE PLUG	J.X.KUANG	25-5-2006



*** MATERIAL**
 TERMINAL 1 : BRASS
 TERMINAL 2 : COPPER ALLOY
 TERMINAL 3 : BRASS
 SUPPORT : BRASS
 STOPPER : BRASS
 HOUSING : PA6T

MODEL NO.	TDC-057D
SCHEMATIC	
CENTER PIN	∅0.65mm



RECOMMENDED
SOLDER PAD LAYOUT

JOYNet Enterprise Co., Ltd.

Technology
Profession
Service

PART NAME SMD DC POWER SOCKET

TOLERANCE UNLESS OTHERWISE SPECIFIED: 0.000±0.05

0.0±0.2
0.09±0.1

UNIT: mm



DESIGN DRAWING
CHECK APPROVAL

J.X.KUANG
T.Y.LI

DATE DATE DATE

9-6-2004
25-5-2006

SCALE MATERIAL

6:1 *

DWG. NO. ITZVDC057D-PA6T/B
SHEET

F

E

D

C

B

A

DCF-04/A

4

3

2

1

4

3

2

1