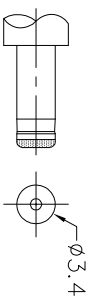
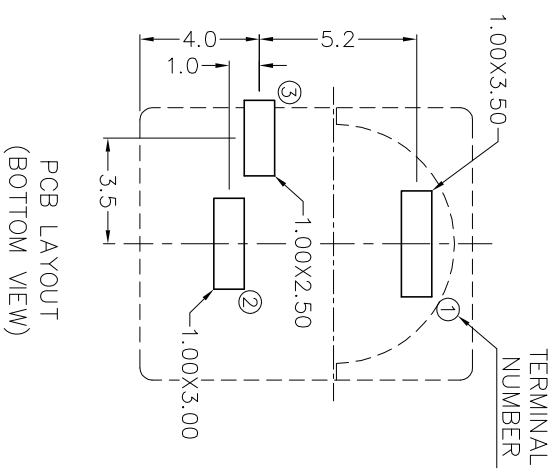
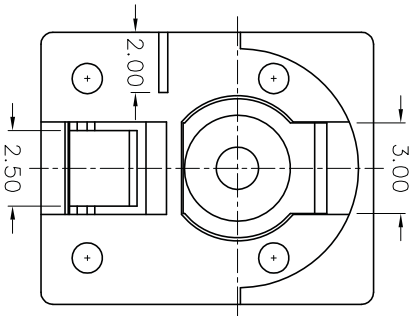
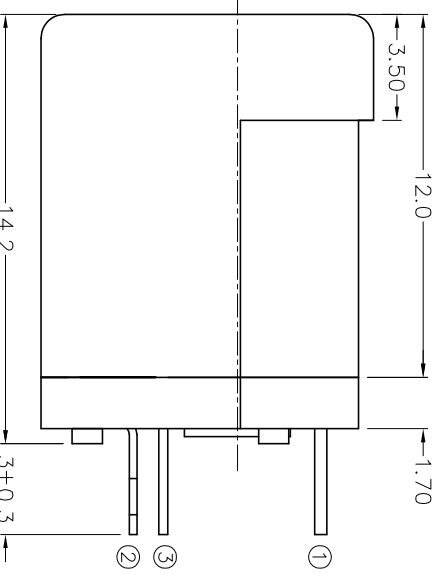
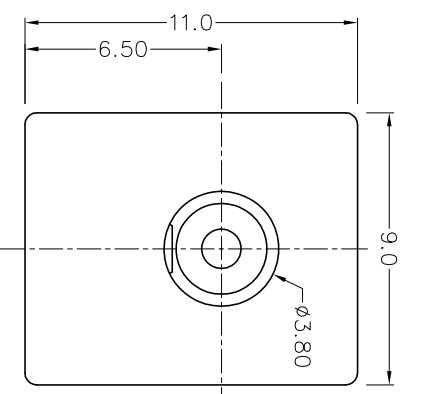
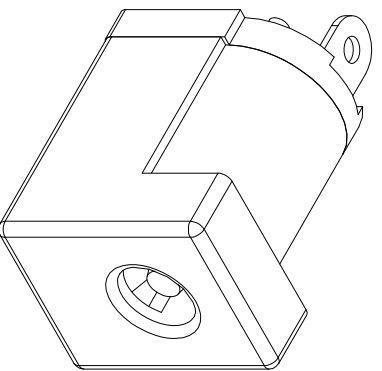


RoHS  
Compliant

ZONE	SYMBOL	REVISION	APPROVAL	DATE
		ADD MATE PLUG	J.X.KUANG	30-9-2006



DC MATE PLUG

MODEL NO.	TDC-056
SCHEMATIC	
CENTER PIN	ø1mm
	ø1.3mm

\* MATERIAL  
 CENTRE PIN : COPPER  
 TERMINAL 1 : BRASS  
 TERMINAL 2 : COPPER ALLOY  
 TERMINAL 3 : BRASS  
 HOUSING : PBT  
 COVER : PBT

**JOYNet** Enterprise Co., Ltd.  
 Technology  
 Precision  
 Service

PART NAME	DC POWER SOCKET	TOLERANCE UNLESS	0.0±0.2	UNIT:	mm	DESIGN	J.JIANG	DATE	25-5-2004	SCALE	4:1
PART NO.	TDC-056	OTHERWISE SPECIFIED:	0.00±0.1			DRAWING	L.L.ZHANG	DATE	30-9-2006	MATERIAL	*
			0.000±0.05			CHECK		DATE		DWG. NO.	TZ\DC056-PBT/B
						APPROVAL		DATE		SHEET	

F E D C B A  
 F E D C B A  
 DCF-04/A