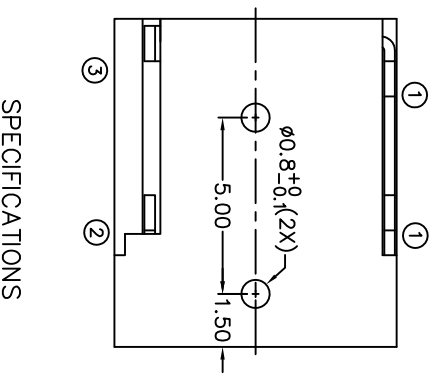
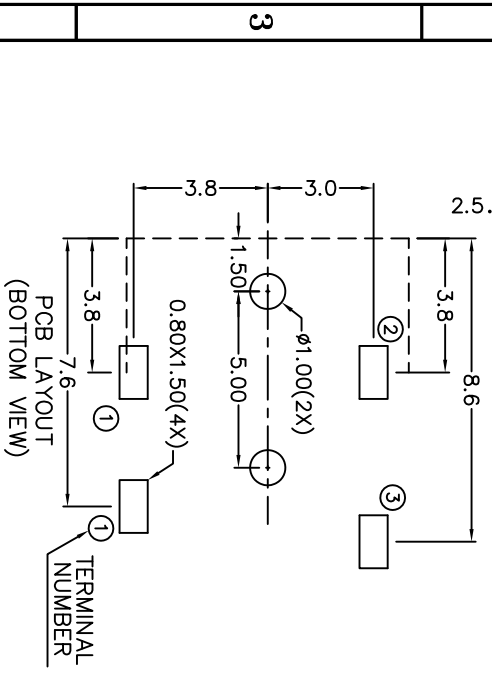
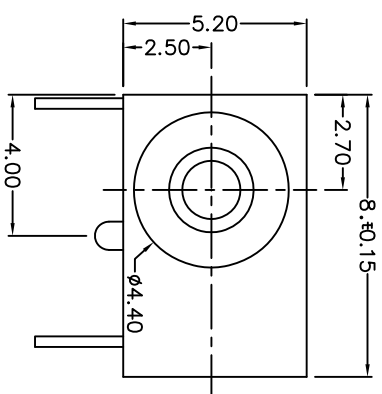
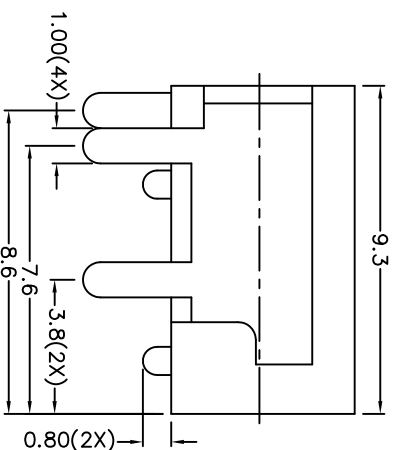
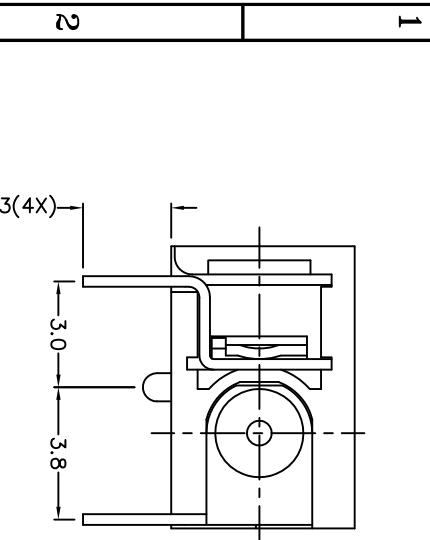


C		B		A	
ZONE	SYMBOL	REVISION	APPROVAL	DATE	



MODEL NO.	TDC-055
SCHEMATIC	
CENTER PIN	φ1.65mm

* MATERIAL:
 CENTRE PIN : BRASS
 TERMINAL 1 : BRASS
 TERMINAL 2 : COPPER ALLOY
 TERMINAL 3 : BRASS
 HOUSING : PA66

SPECIFICATIONS

- 1 Insulation resistance of adjacent open terminals shall not be less than 50 Megohms when measured with 500 Volts resistance meter.
- 2 Connector shall withstand 500 Volts (RMS) between adjacent open terminal for one minute.
- 3 Contact resistance of normally closed terminals shall not exceed 0.03 ohms when measured at a current of one Ampere by Voltage drop method.
- 4 Connector shall withstand 5,000 cycles of insertions and withdrawal with testing plug, contact resistance shall not exceed 0.1 ohm.

JOYNet Enterprise Co., Ltd.
 Technology
 Prefecture
 Service

PART NAME	DC POWER SOCKET	TOLERANCE UNLESS	0.0±0.2	UNIT:	mm	DESIGN	T.Y.LI	DATE	12-3-2004	SCALE	5:1
PART NO.	TDC-055	OTHERWISE SPECIFIED:	0.00±0.1			CHECK	T.Y.LI	DATE	12-3-2004	MATERIAL	*
			0.000±0.05			APPROVAL		DATE		DWG. NO.	TZ\DC055-PA66
										SHEET	