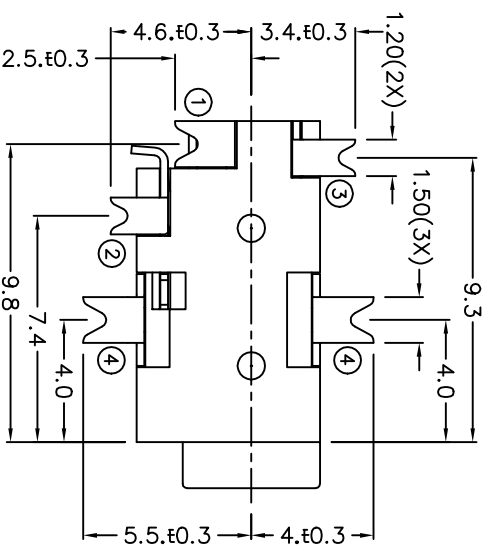
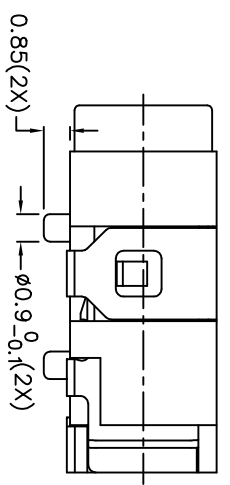
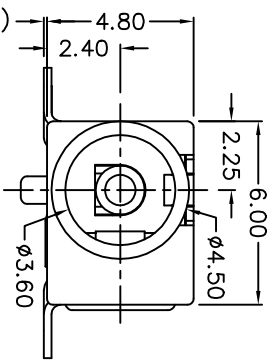
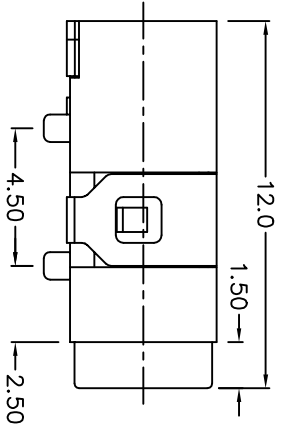
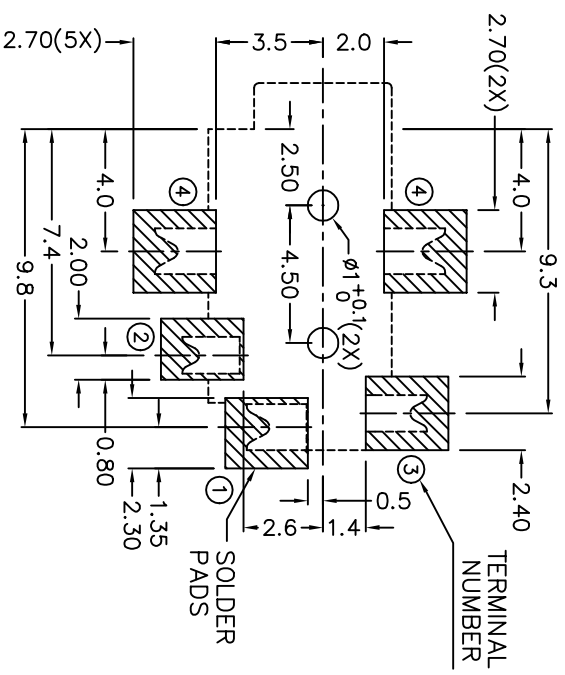


C		B		A	
ZONE	SYMBOL	REVISION	APPROVAL	DATE	



MODEL NO.	TDC-053D
SCHEMATIC	
CENTER PIN	φ1mm

\* MATERIAL  
 TERMINAL 1 : BRASS  
 TERMINAL 2 : COPPER ALLOY  
 TERMINAL 3 : BRASS  
 TERMINAL 4 : COPPER ALLOY  
 HOUSING : PA6T



SPECIFICATIONS

- 1 Insulation resistance of adjacent open terminals shall not be less than 50 Megohms when measured with 500 Volts resistance meter.
- 2 Connector shall withstand 500 Volts (RMS) between adjacent open terminal for one minute.
- 3 Contact resistance of normally closed terminals shall not exceed 0.03 ohms when measured at a current of one Ampere by Voltage drop method.
- 4 Connector shall withstand 5,000 cycles of insertions and withdrawal with testing plug, contact resistance shall not exceed 0.1 ohm.



PART NAME	SMD DC POWER SOCKET	TOLERANCE UNLESS	0.0±0.2	UNIT:	mm	DESIGN	T.Y.LI	DATE	3-4-2004	SCALE	4:1
PART NO.	TDC-053D	OTHERWISE SPECIFIED:	0.00±0.1			CHECK	T.Y.LI	DATE	3-4-2004	MATERIAL	*
			0.000±0.05			APPROVAL		DATE		DWG. NO.	TZ\DC053D-PA6T
								DATE		SHEET	