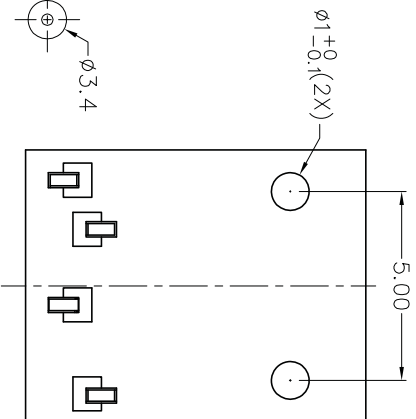
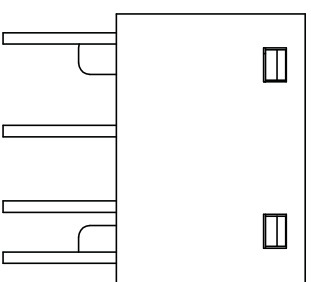
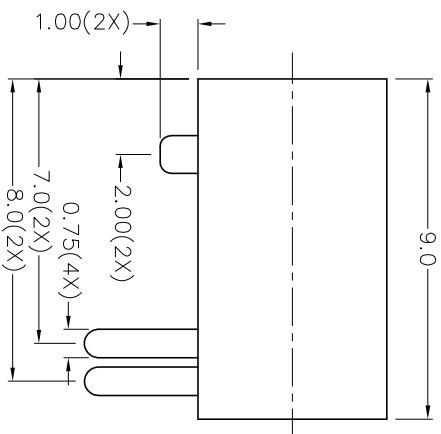
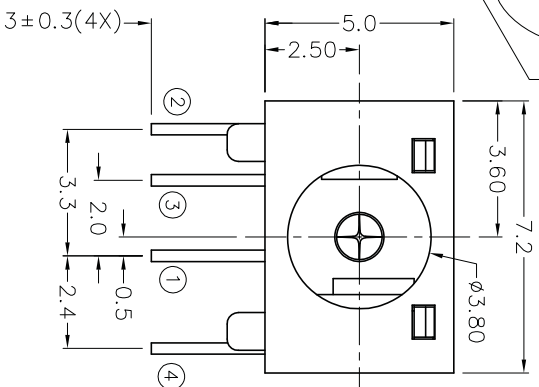
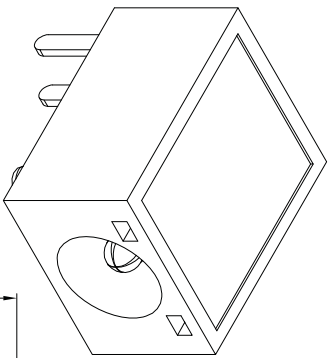
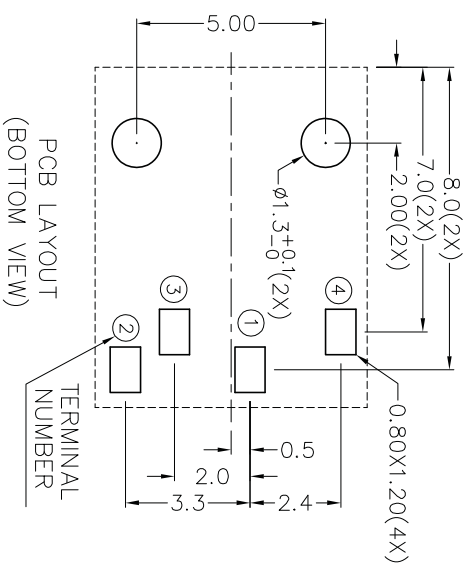


ROHS
Compliant

C		B		A	
ZONE	SYMBOL	REVISION	APPROVAL	DATE	
		ADD MATE PLUG	J.X.KUANG	12-7-2006	



PCB LAYOUT
(BOTTOM VIEW)



- * MATERIAL
- TERMINAL 1 : BRASS
 - TERMINAL 2 : COPPER ALLOY
 - TERMINAL 3 : BRASS
 - TERMINAL 4 : COPPER ALLOY
 - HOUSING : PA66
 - COVER : PA66
 - INSULATOR : PA66

MODEL NO.	TDC-052	SCHEMATIC	o 2
			o 1
			o 3
			o 4
CENTER PIN	ø1mm		
	ø1.3mm		

JOYNet Enterprise Co., Ltd.
Technology * Profession * Service

PART NAME	DC POWER SOCKET	TOLERANCE UNLESS	0.0±0.2	UNIT:	mm	DESIGN	T.Y.LI	DATE	26-2-2004	SCALE	5:1
PART NO.	TDC-052	OTHERWISE SPECIFIED:	0.00±0.1			DRAWING	T.Y.LI	DATE	12-7-2006	MATERIAL	*
			0.000±0.05			CHECK		DATE		DWG. NO.	TZ\DC052-PA66/B
						APPROVAL		DATE		SHEET	

F B D C B A DCF-04/A