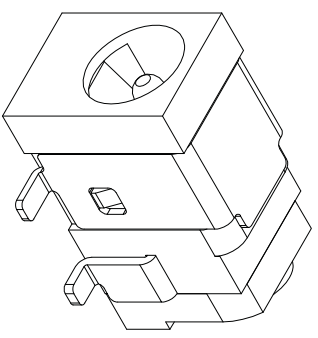
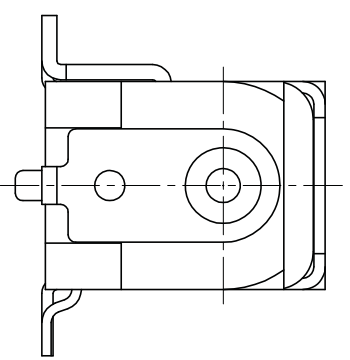
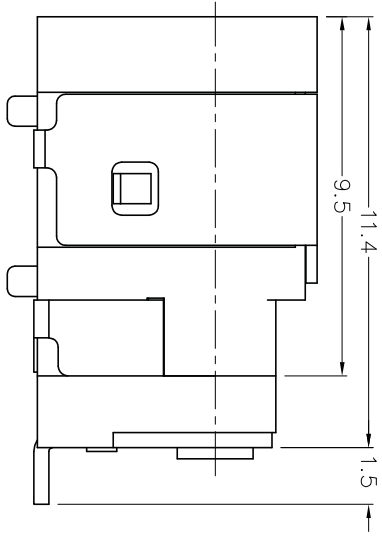
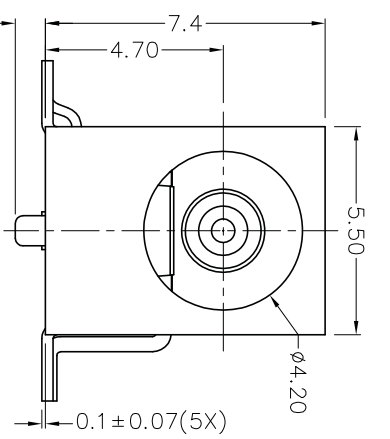


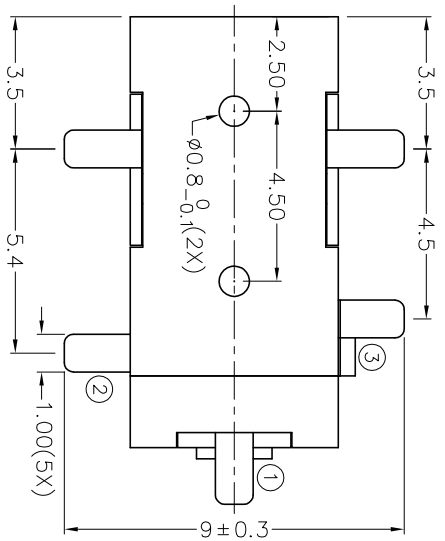
RoHS  
Compliant

ZONE	SYMBOL	REVISION	APPROVAL	DATE
		ADD MATE PLUG	J.X.KUANG	30-9-2006



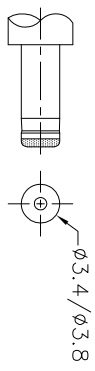
2

MODEL NO.	TDC-050DS
SCHEMATIC	
CENTER PIN	φ1mm



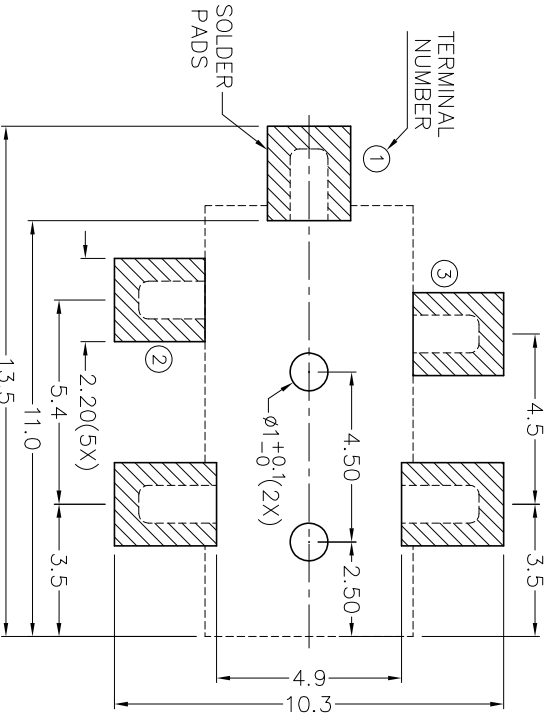
\* MATERIAL

- CENTER PIN : COPPER
- TERMINAL 1 : BRASS
- TERMINAL 2 : COPPER ALLOY
- TERMINAL 3 : BRASS
- SHIELD : COLD ROLLED STEEL
- HOUSING : PA6T
- COVER : PA6T



DC MATE PLUG

4



RECOMMENDED  
SOLDER PAD LAYOUT



PART NAME	SMD DC POWER SOCKET	TOLERANCE UNLESS	0.0±0.2 0.00±0.1	UNIT:	mm
PART NO.	TDC-050DS	OTHERWISE SPECIFIED:	0.000±0.05		

DESIGN	T.Y.LI	DATE	15-9-2003	SCALE	5:1
DRAWING	L.L.ZHANG	DATE	30-9-2006	MATERIAL	*
CHECK		DATE		DWG. NO.	TZ\DC050DS-PA6T/B
APPROVAL		DATE		SHEET	

A DCF-04/A

F

E

D

C

B

A

1

2

3

4