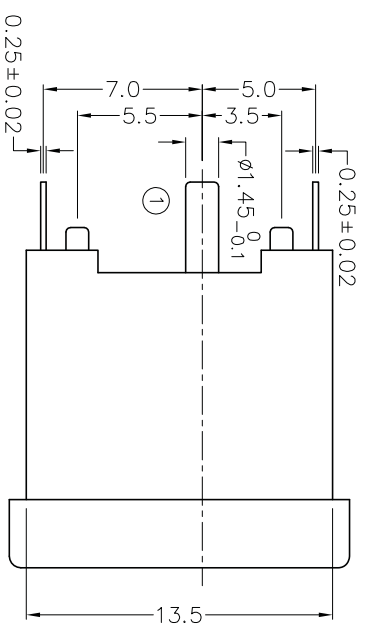
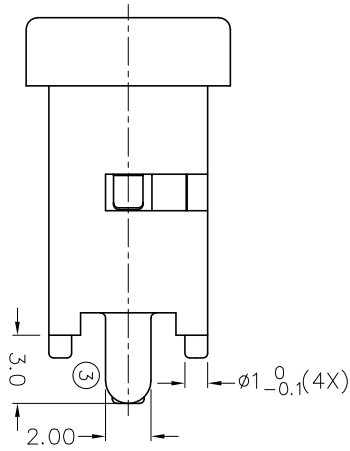
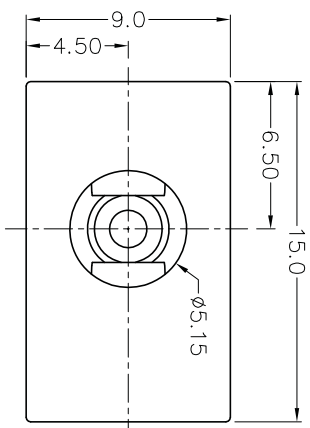
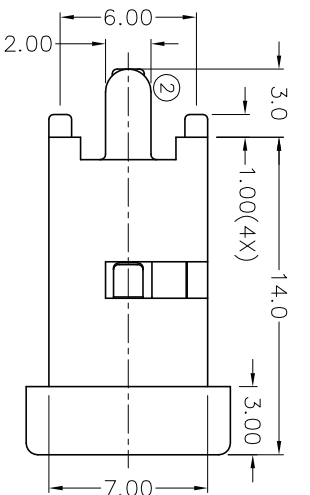
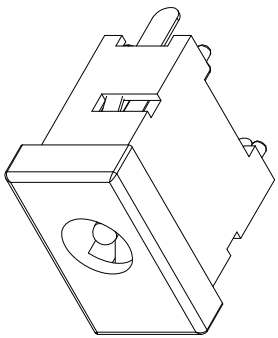


ZONE	SYMBOL	REVISION	APPROVAL	DATE
		ADD MATE PLUG	J.X.KUANG	29-9-2006

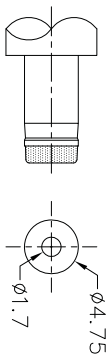
RoHS
Compliant



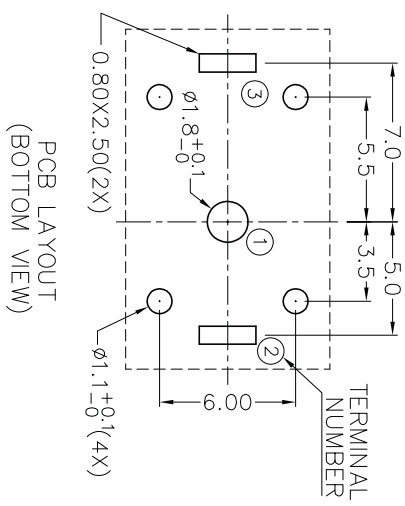
MODEL NO.	TDC-046
SCHEMATIC	
CENTRE PIN	$\phi 1.65\text{mm}$

*** MATERIAL**

TERMINAL 1 : BRASS
 TERMINAL 2 : COPPER ALLOY
 TERMINAL 3 : COPPER ALLOY
 HOUSING : PBT 94V-0



DC MATE PLUG



JOYNet Enterprise Co., Ltd.
 Technology
 Profession
 Service

PART NAME	DC POWER SOCKET	TOLERANCE UNLESS	0.0±0.2	UNIT:	mm	DESIGN	L.L.ZHANG	DATE	10-10-2005	SCALE	3:1
PART NO.	TDC-046	OTHERWISE SPECIFIED:	0.00±0.1 0.000±0.05			DRAWING	L.L.ZHANG	DATE	29-9-2006	MATERIAL	*
						CHECK		DATE		DWG. NO.	TZ\DC046-PBT/C
						APPROVAL		DATE		SHEET	

F

E

D

C

B

A

DCF-04/A

4

3

2

1

4

3

2

1