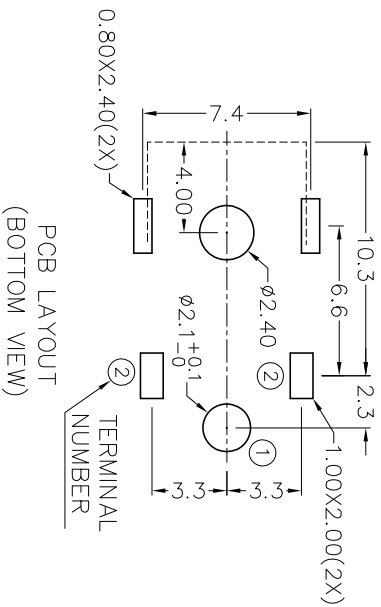
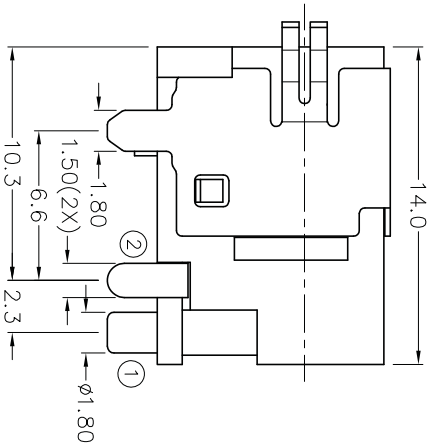
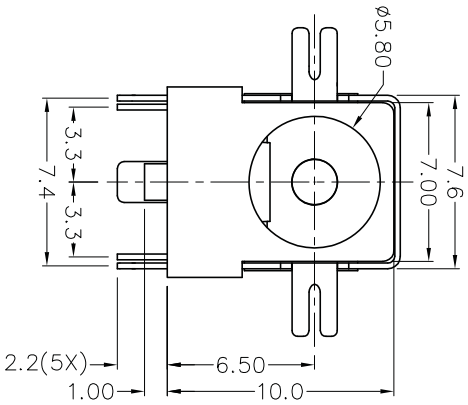
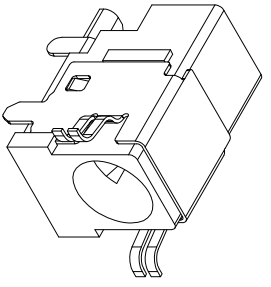


RoHS
Compliant

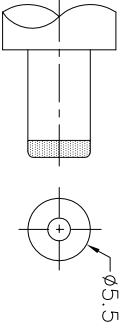
ZONE	SYMBOL	REVISION	APPROVAL	DATE
		ADD MATE PLUG	J.X.KUANG	12-7-2006



* MATERIAL

TERMINAL 1 : BRASS
 TERMINAL 2 : COPPER ALLOY
 SHIELD : COPPER ALLOY
 HOUSING : PBT

MODEL NO.	TDC-044S-1
SCHEMATIC	
CENTER PIN	$\phi 2.5\text{mm}$



DC MATE PLUG

JOYNet Enterprise Co., Ltd.
 Technology > Professor > Service

PART NAME	DC POWER SOCKET	TOLERANCE UNLESS	0.0±0.2	UNIT:	mm
PART NO.	TDC-044S-1	OTHERWISE SPECIFIED:	0.00±0.01 0.000±0.05		

DESIGN	T.Y.LI	DATE	11-10-2003	SCALE	3:1
DRAWING	T.Y.LI	DATE	12-7-2006	MATERIAL	*
CHECK		DATE		DWG. NO.	TZYDC044S-1-PBT/B
APPROVAL		DATE		SHEET	

A DGF-04/A