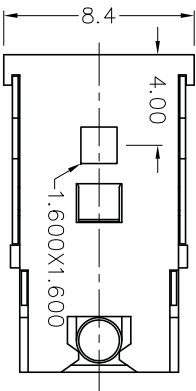
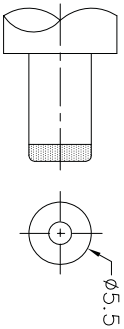
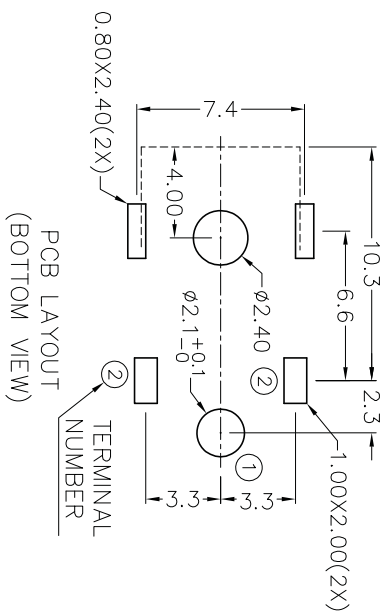
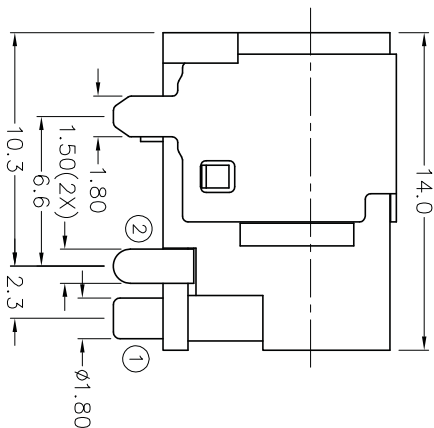
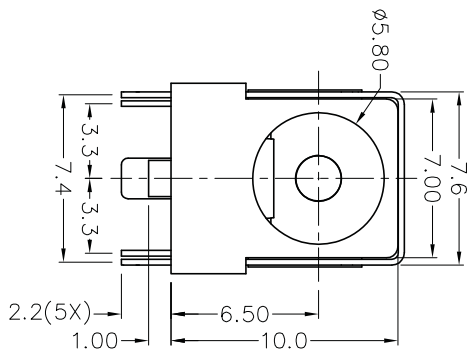
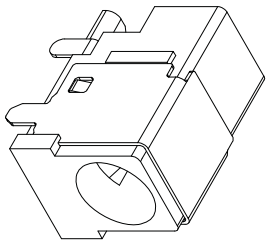


RoHS
Compliant

C		B		A	
ZONE	SYMBOL	REVISION	APPROVAL	DATE	
		ADD MATE PLUG	J.X.KUANG	12-7-2006	



DC MATE PLUG

JOYNet Enterprise Co., Ltd.
Technology
Profession
Service

PART NAME	DC POWER SOCKET	TOLERANCE UNLESS	0.0±0.2	UNIT:	mm	DESIGN	T.Y.LI	DATE	11-10-2003	SCALE	3:1
PART NO.	TDC-044S2-1	OTHERWISE SPECIFIED:	0.00±0.1			DRAWING	T.Y.LI	DATE	12-7-2006	MATERIAL	*
			0.000±0.05			CHECK		DATE		DWG. NO.	ITZ\p0044S2-1-PBT/B
						APPROVAL		DATE		SHEET	

*** MATERIAL**

- TERMINAL 1 : BRASS
- TERMINAL 2 : COPPER ALLOY
- SHIELD : BRASS
- HOUSING : PBT

MODEL NO.	TDC-044S2-1
SCHMATIC	
CENTER PIN	φ2mm
	φ2.5mm

F

E

D

C

B

A

4

3

2

1

4

3

2

1

DCF-04/A