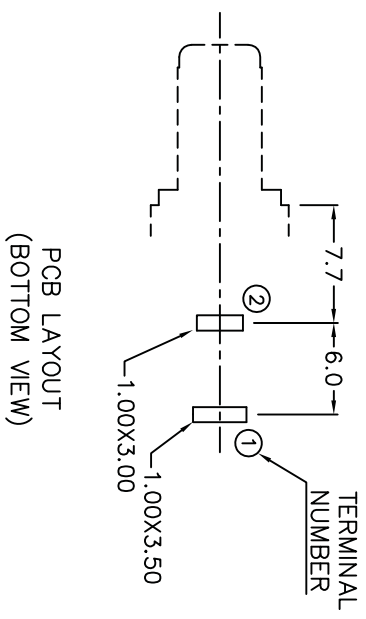
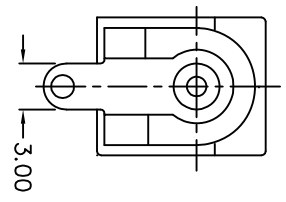
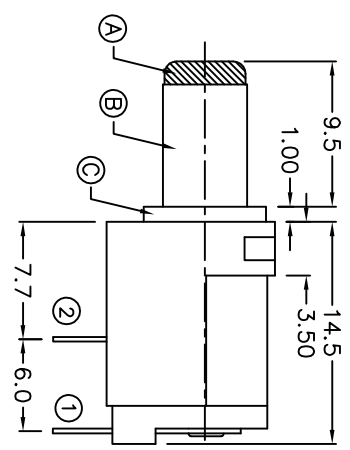
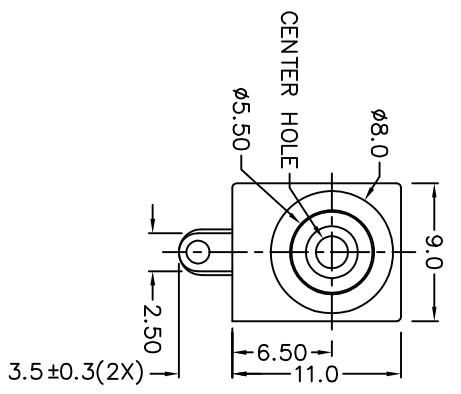
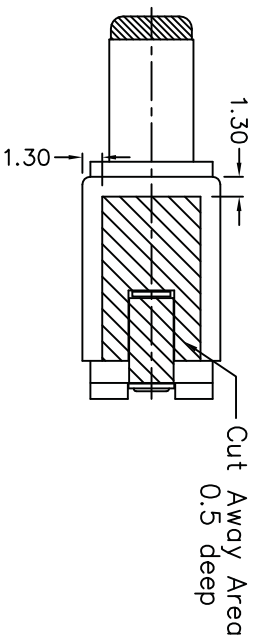


C		B		A	
ZONE	SYMBOL	REVISION	APPROVAL	DATE	
		DWG. NO. TO REVISE	S.T.CHU	11-10-2003	



MODEL NO.	TDC-039
SCHEMATIC	
CENTER HOLE	$\phi 2.1^{+0.05}_0$ mm
	$\phi 2.5^{+0.05}_0$ mm



- \* MATERIAL**
- PLUG**
- A) PLASTIC : ABS
  - B) METAL : BRASS
  - C) GUIDE : PBT
- MAIN BODY**
- TERMINAL 1 : BRASS
  - TERMINAL 2 : COPPER ALLOY
  - HOUSING : PBT
  - COVER : PBT

**SPECIFICATIONS**

- 1 Insulation resistance of adjacent open terminals shall not be less than 50 Megohms when measured with 500 Volts resistance meter.
- 2 Connector shall withstand 500 Volts (RMS) between adjacent open terminal for one minute.
- 3 Contact resistance of normally closed terminals shall not exceed 0.03 ohms when measured at a current of one Ampere by Voltage drop method.
- 4 Connector shall withstand 5,000 cycles of insertions and withdrawal with testing plug, contact resistance shall not exceed 0.1 ohm.



PART NAME	DC PLUG	TOLERANCE UNLESS	0.0±0.2	UNIT:		DESIGN	J.X.KUANG	DATE	11-10-2003	SCALE	2:1
PART NO.	TDC-039	OTHERWISE SPECIFIED:	0.00±0.1			DRAWING	J.X.KUANG	DATE	11-10-2003	MATERIAL	*
			0.000±0.05	mm		CHECK		DATE		DWG. NO.	TZ\DC039-PBT
						APPROVAL		DATE		SHEET	