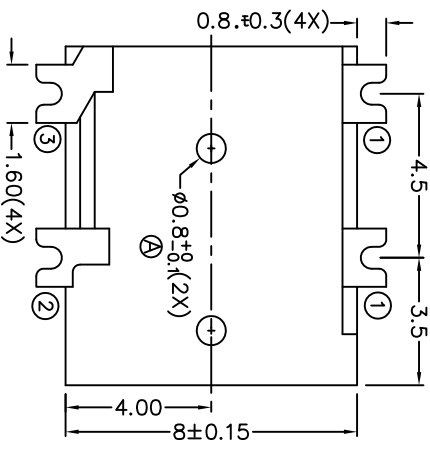
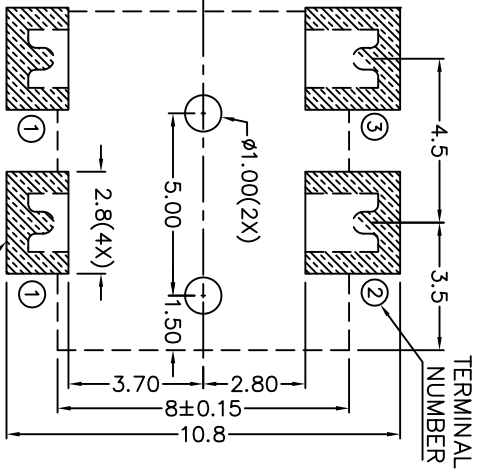
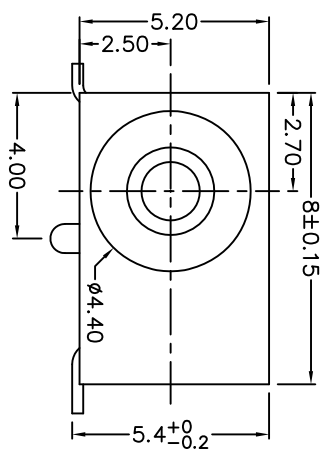
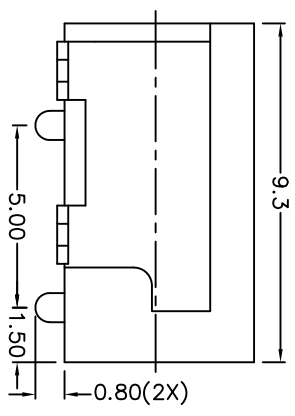
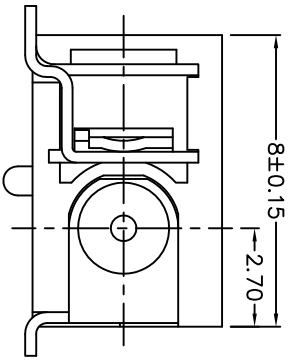


C		B		A	
ZONE	SYMBOL	REVISION	APPROVAL	DATE	
D3	Ⓐ	φ0.800(2X) MODIFIED TO φ0.8±0.08k(2X)	S.T.CHU	1-4-2004	



MODEL NO.	TDC-033
SCHEMATIC	
CENTER PIN	φ1.65mm

* MATERIAL:
 CENTRE PIN : BRASS
 TERMINAL 1 : BRASS
 TERMINAL 2 : COPPER ALLOY
 TERMINAL 3 : BRASS
 HOUSING : PA6T

SPECIFICATIONS

- 1 Insulation resistance of adjacent open terminals shall not be less than 50 Megohms when measured with 500 Volts resistance meter.
- 2 Connector shall withstand 500 Volts (RMS) between adjacent open terminal for one minute.
- 3 Contact resistance of normally closed terminals shall not exceed 0.03 ohms when measured at a current of one Ampere by Voltage drop method.
- 4 Connector shall withstand 5,000 cycles of insertions and withdrawal with testing plug, contact resistance shall not exceed 0.1 ohm.

JOYNet Enterprise Co., Ltd.
 Technology / Precision Service

PART NAME	SMD DC POWER SOCKET	TOLERANCE UNLESS	0.0±0.2	UNIT:	mm	DESIGN	JIANG JUN	DATE	1-4-2004	SCALE	6:1
PART NO.	TDC-033	OTHERWISE SPECIFIED:	0.00±0.1			CHECK	JIANG JUN	DATE	1-4-2004	MATERIAL	*
			0.000±0.05			APPROVAL		DATE		DWG. NO.	TZ\DC033-PA6T/B
								DATE		SHEET	

F E D C B A DGF-04/A