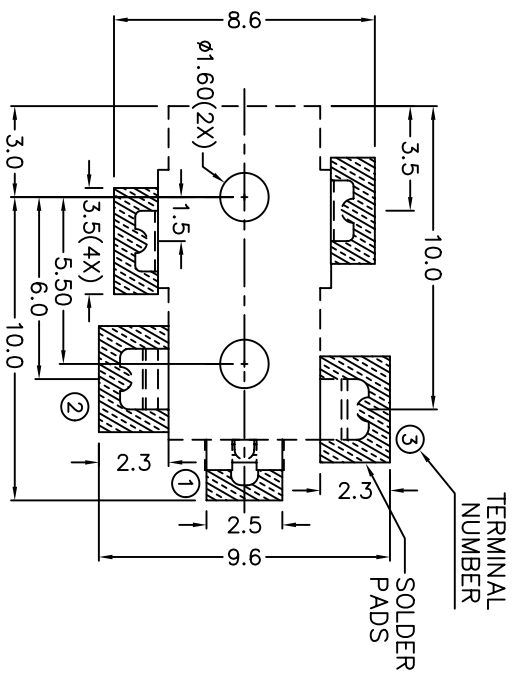
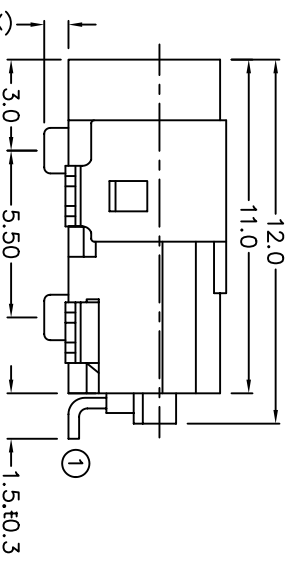
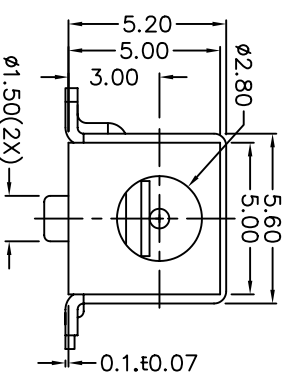
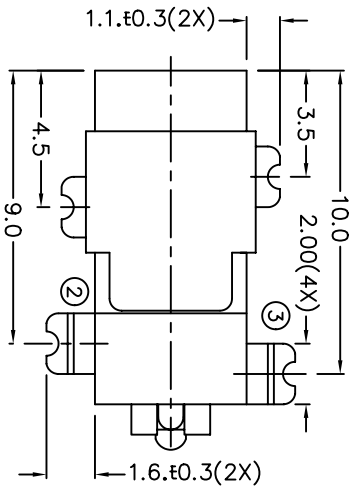


ZONE	SYMBOL	REVISION	APPROVAL	DATE
		DWG. NO. TO REVISE	S.T.CHU	10-10-2003



MODEL NO.	TDC-032H
SCHEMATIC	
CENTER PIN	∅0.65mm

- * MATERIAL
- TERMINAL 1 : BRASS
 - TERMINAL 2 : COPPER ALLOY
 - TERMINAL 3 : BRASS
 - SHIELD : COLD ROLLED STEEL
 - HOUSING : PA6T

SPECIFICATIONS

- 1 Insulation resistance of adjacent open terminals shall not be less than 50 Megohms when measured with 500 Volts resistance meter.
- 2 Connector shall withstand 500 Volts (RMS) between adjacent open terminal for one minute.
- 3 Contact resistance of normally closed terminals shall not exceed 0.03 ohms when measured at a current of one Ampere by Voltage drop method.
- 4 Connector shall withstand 5,000 cycles of insertions and withdrawal with testing plug, contact resistance shall not exceed 0.1 ohm.



PART NAME	HIGH CURRENT SMD DC POWER SOCKET	TOLERANCE UNLESS	0.00±0.2	UNIT:		DESIGN	J.X.KUANG	DATE	10-10-2003	SCALE	4:1
PART NO.	TDC-032H	OTHERWISE SPECIFIED:	0.000±0.05	mm		DRAWING	J.X.KUANG	DATE	10-10-2003	MATERIAL	*
						CHECK		DATE		DWG. NO.	TZ\DC032H-PA6T
						APPROVAL		DATE		SHEET	