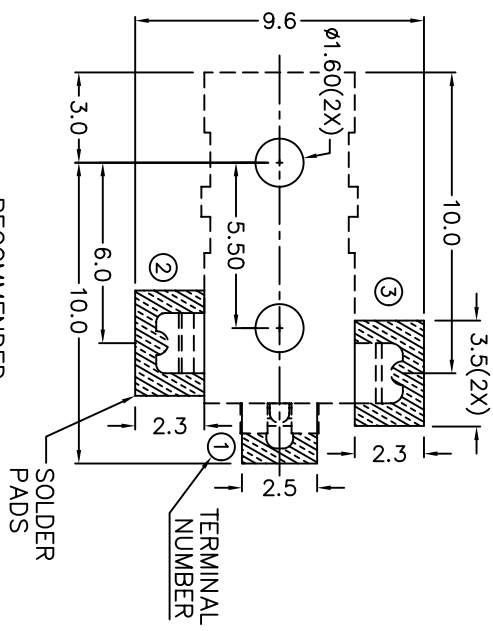
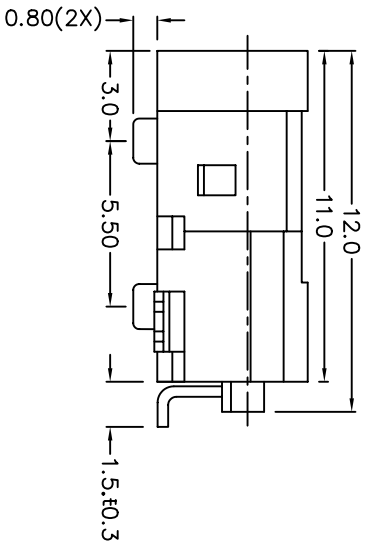
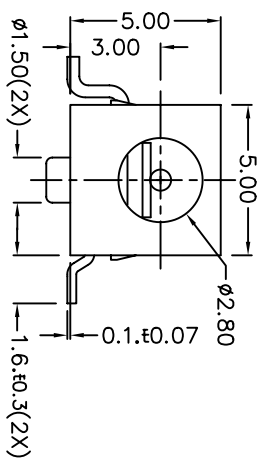
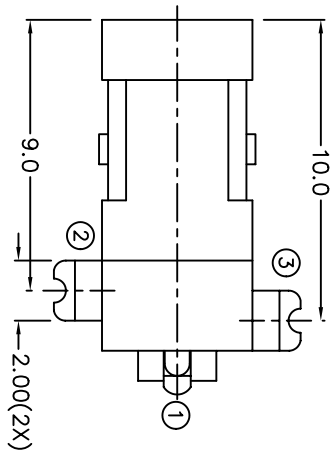


C		B		A	
ZONE	SYMBOL	REVISION	APPROVAL	DATE	
		DWG. NO. TO REVISE	S.T.CHU	10-10-2003	



MODEL NO.	TDC-031H
SCHEMATIC	
CENTER PIN	∅0.65mm

* MATERIAL
 TERMINAL 1 : BRASS
 TERMINAL 2 : COPPER ALLOY
 TERMINAL 3 : BRASS
 HOUSING : PA6T

SPECIFICATIONS

- 1 Insulation resistance of adjacent open terminals shall not be less than 50 Megohms when measured with 500 Volts resistance meter.
- 2 Connector shall withstand 500 Volts (RMS) between adjacent open terminal for one minute.
- 3 Contact resistance of normally closed terminals shall not exceed 0.03 ohms when measured at a current of one Ampere by Voltage drop method.
- 4 Connector shall withstand 5,000 cycles of insertions and withdrawal with testing plug , contact resistance shall not exceed 0.1 ohm.

JOYNet Enterprise Co., Ltd.
 Technology
 Protection
 Service

PART NAME	HIGH CURRENT SMD DC POWER SOCKET	TOLERANCE UNLESS OTHERWISE SPECIFIED:	0.0±0.2 0.00±0.1 0.000±0.05	UNIT:	mm	DESIGN	T.Y.LI	DATE	10-10-2003	SCALE	4:1
PART NO.	TDC-031H					DRAWING	T.Y.LI	DATE	10-10-2003	MATERIAL	*
						CHECK		DATE		DWG. NO.	TZ\DC031H-PA6T
						APPROVAL		DATE		SHEET	

F E D C B A
 F E D C B A
 DCF-04/A