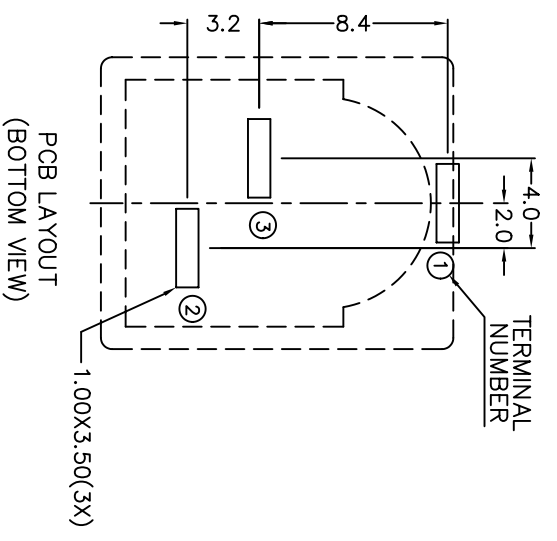
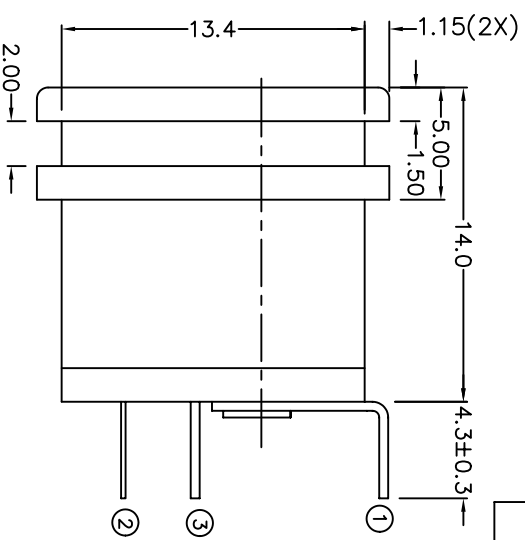
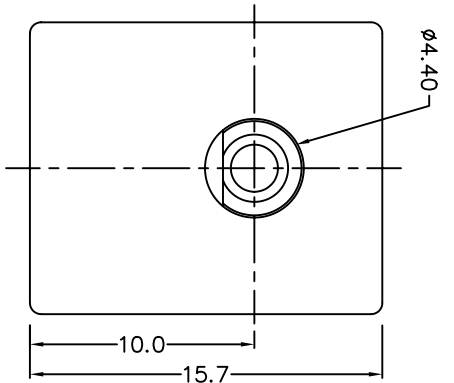
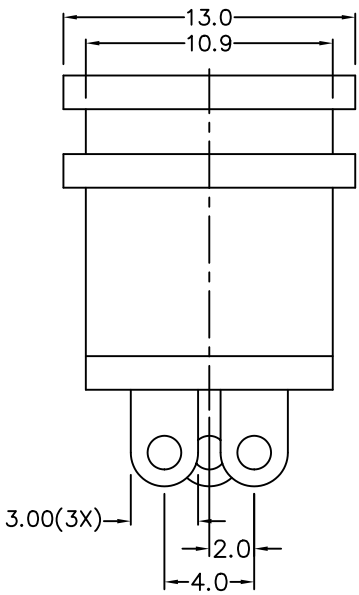


C		B		A	
ZONE	SYMBOL	REVISION	APPROVAL	DATE	
		DWG. NO. TO REVISE	S.T. CHU	10-10-2003	



MODEL NO.	TDC-029
SCHEMATIC	
CENTER PIN	∅1.65mm



- * MATERIAL
- CENTRE PIN : COPPER
 - TERMINAL 1 : BRASS
 - TERMINAL 2 : COPPER ALLOY
 - TERMINAL 3 : BRASS
 - HOUSING : PBT
 - COVER : PBT

SPECIFICATIONS

- 1 Insulation resistance of adjacent open terminals shall not be less than 50 Megohms when measured with 500 Volts resistance meter.
- 2 Connector shall withstand 500 Volts (RMS) between adjacent open terminal for one minute.
- 3 Contact resistance of normally closed terminals shall not exceed 0.03 ohms when measured at a current of one Ampere by Voltage drop method.
- 4 Connector shall withstand 5,000 cycles of insertions and withdrawal with testing plug, contact resistance shall not exceed 0.1 ohm.



PART NAME	DC POWER SOCKET	TOLERANCE UNLESS	0.0±0.2	UNIT:	mm	DESIGN	J.M.KWAN	DATE	10-10-2003	SCALE	3:1
PART NO.	TDC-029	OTHERWISE SPECIFIED:	0.00±0.1			CHECK	J.M.KWAN	DATE	10-10-2003	MATERIAL	*
			0.000±0.05			APPROVAL		DATE		DWG. NO.	TZ\DC029-PBT
								DATE		SHEET	