

F

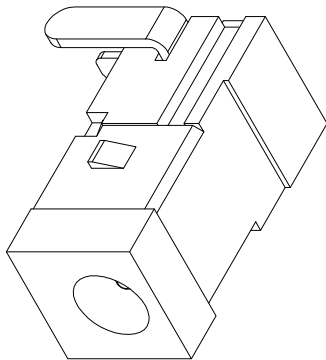
E

D

C

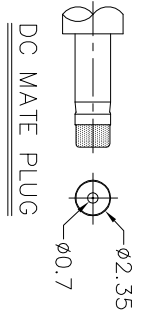
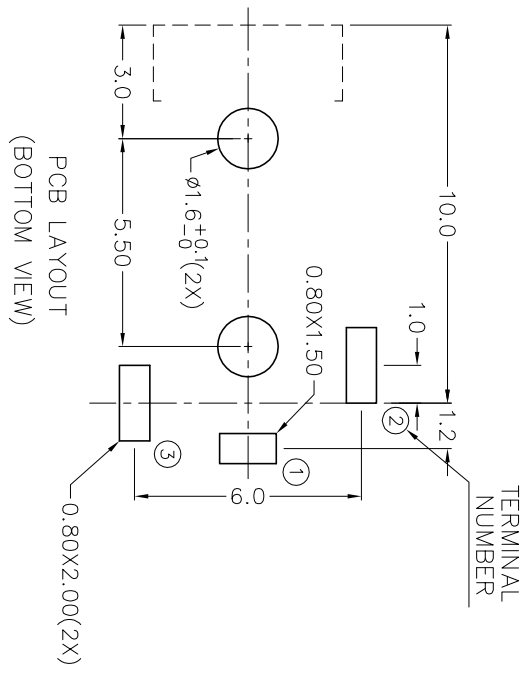
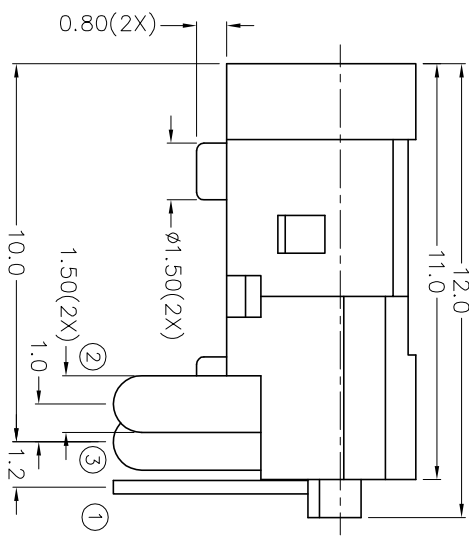
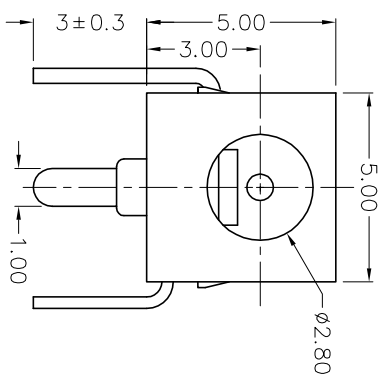
B

A



**RoHS**  
Compliant

ZONE	SYMBOL	REVISION	APPROVAL	DATE
		ADD MATE PLUG	J.X.KUANG	11-7-2006



MODEL NO.	TDC-027
SCHEMATIC	
CENTER PIN	φ0.65mm

\* MATERIAL  
 TERMINAL 1 : BRASS  
 TERMINAL 2 : COPPER ALLOY  
 TERMINAL 3 : BRASS  
 HOUSING : PA66



> Technology  
> Profession  
> Service

PART NAME	DC POWER SOCKET	TOLERANCE	UNLESS	0.0±0.2	UNIT:	mm	DESIGN	T.Y.LI	DATE	10-10-2003	SCALE	5:1
PART NO.	TDC-027	OTHERWISE SPECIFIED:	0.00±0.1	0.00±0.05			DRAWING	T.Y.LI	DATE	11-7-2006	MATERIAL	*
							CHECK		DATE		DWG. NO.	TZYDC027-PA66/B
							APPROVAL		DATE		SHEET	

F

E

D

C

B

A

DCF-04/A

4

3

2

1

4

3

2

1