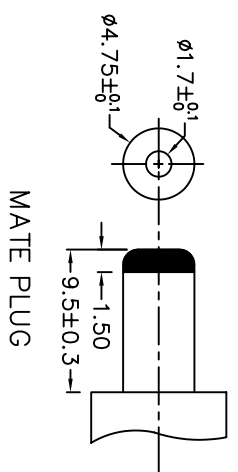
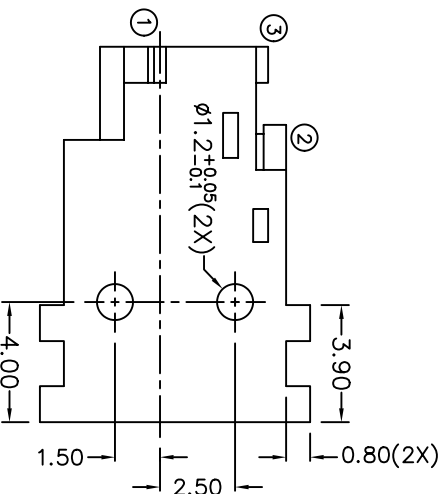
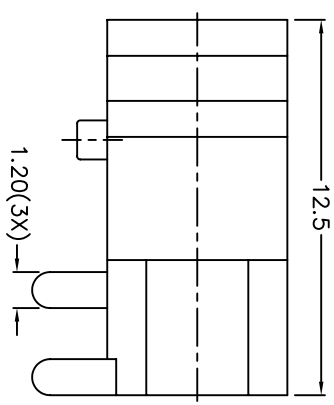
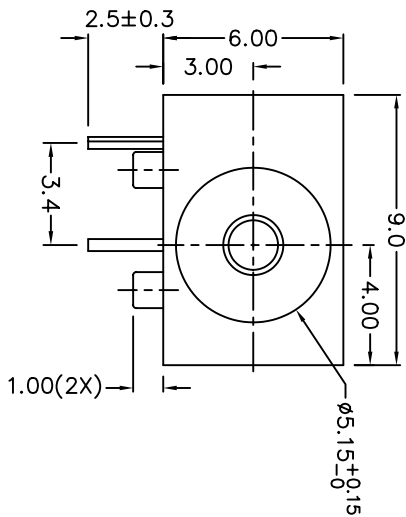
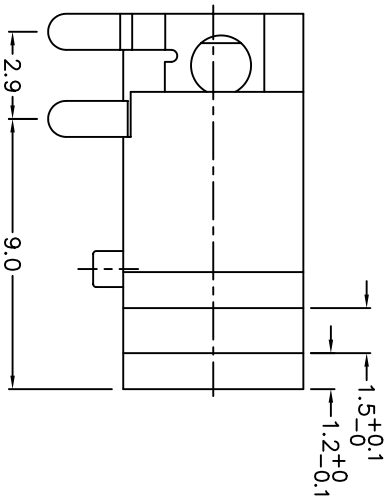
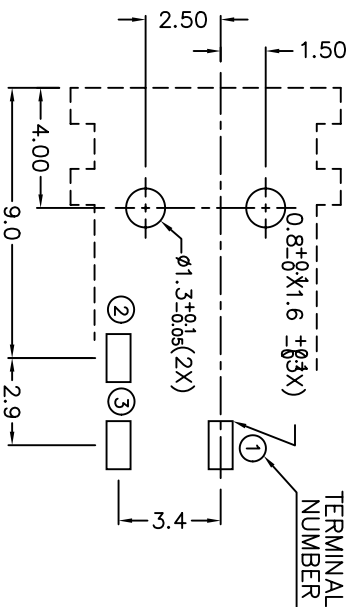


C		B		A	
ZONE	SYMBOL	REVISION	APPROVAL	DATE	
		DWG. NO. TO REVISE	S.T.CHU	10-10-2003	



MODEL NO.	TDC-026
SCHEMATIC	
CENTER PIN	$\phi 1.65\text{mm}$



* MATERIAL
 TERMINAL 1 : BRASS
 TERMINAL 2 : COPPER ALLOY
 TERMINAL 3 : BRASS
 HOUSING : PA66

SPECIFICATIONS

- 1 Insulation resistance of adjacent open terminals shall not be less than 50 Megohms when measured with 500 Volts resistance meter.
- 2 Connector shall withstand 500 Volts (RMS) between adjacent open terminal for one minute.
- 3 Contact resistance of normally closed terminals shall not exceed 0.03 ohms when measured at a current of one Ampere by Voltage drop method.
- 4 Connector shall withstand 5,000 cycles of insertions and withdrawal with testing plug, contact resistance shall not exceed 0.1 ohm.

JOYNet Enterprise Co., Ltd.
 Technology
 Professional
 Service

PART NAME	DC POWER SOCKET	TOLERANCE UNLESS	0.0 \pm 0.2	UNIT:	mm
PART NO.	TDC-026	OTHERWISE SPECIFIED:	0.00 \pm 0.1		

DESIGN	T.Y.LI	DATE	10-10-2003	SCALE	4:1
DRAWING	T.Y.LI	DATE	10-10-2003	MATERIAL	*
CHECK		DATE		DWG. NO.	TZ\DC026-PA66
APPROVAL		DATE		SHEET	