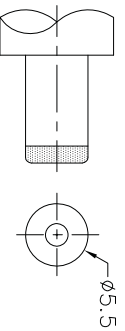
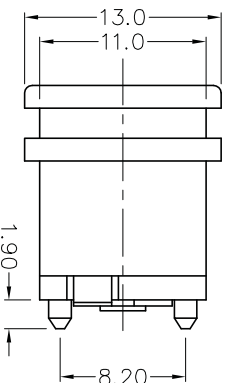
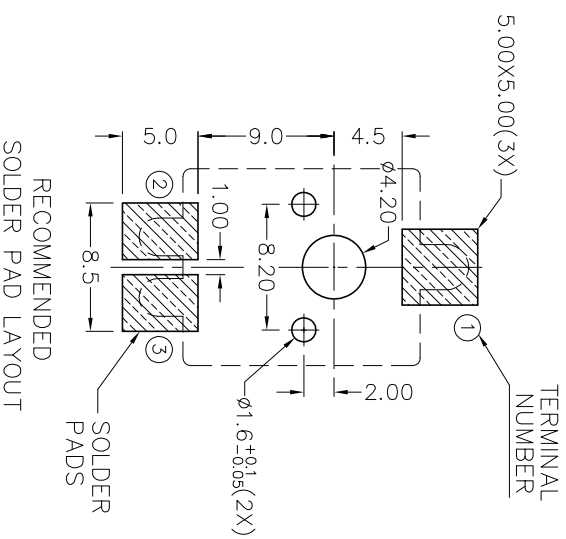
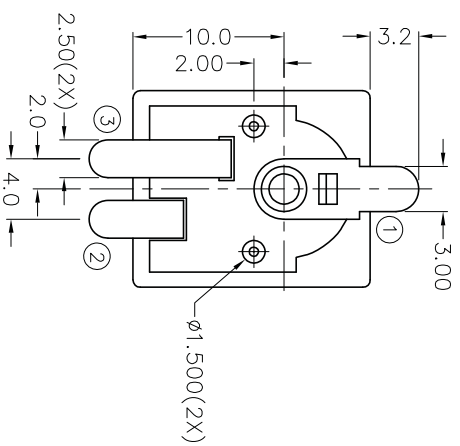
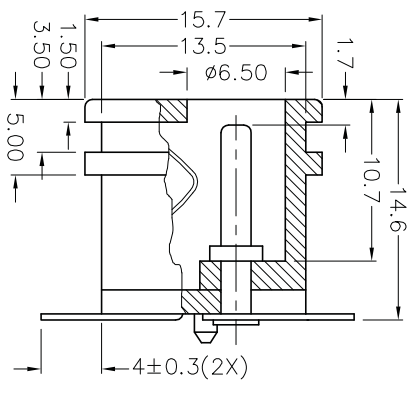
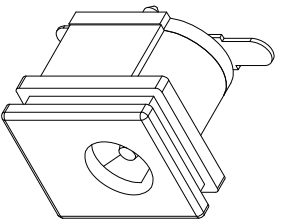


ZONE	SYMBOL	REVISION	APPROVAL	DATE
		ADD MATE PLUG	J.X.KUANG	29-9-2006

**RoHS**  
Compliant



DC MATE PLUG

MODEL NO.	TDC-025
SCHEMATIC	
CENTER PIN	Ø2mm

\* MATERIAL

CENTRE PIN : COPPER  
 TERMINAL 1 : BRASS  
 TERMINAL 2 : COPPER ALLOY  
 TERMINAL 3 : BRASS  
 HOUSING : PA6T  
 COVER : PA6T

**JOYNet** Enterprise Co., Ltd.  
 Technology  
 Protection  
 Service

PART NAME SMD DC POWER SOCKET  
 PART NO. TDC-025

TOLERANCE UNLESS  
 0.00±0.2  
 0.00±0.1  
 OTHERWISE SPECIFIED: 0.000±0.05 mm

DESIGN	L.L.ZHANG	DATE	14-10-2005	SCALE	2:1
DRAWING	L.L.ZHANG	DATE	29-9-2006	MATERIAL	*
CHECK		DATE		DWG. NO.	TZ\DC025-PA6T/C
APPROVAL		DATE		SHEET	

DCP-04/A