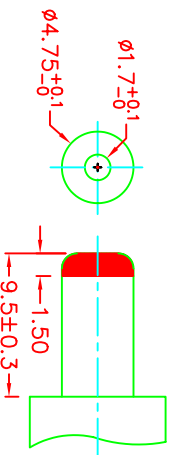
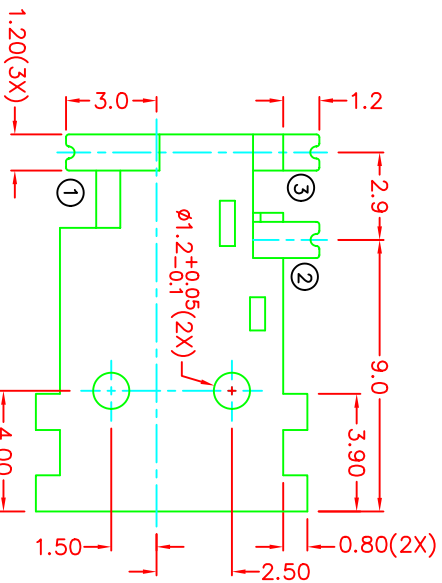
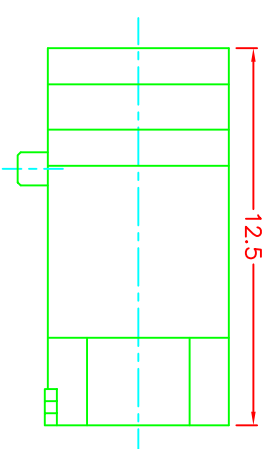
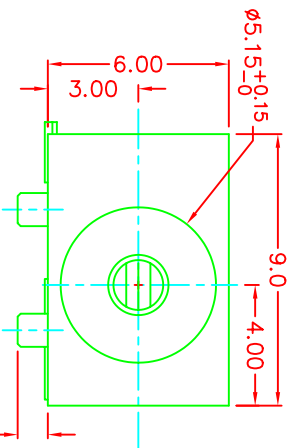
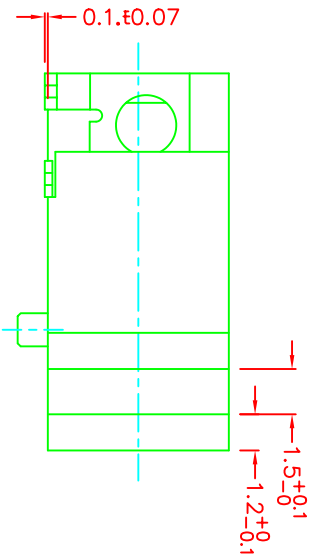
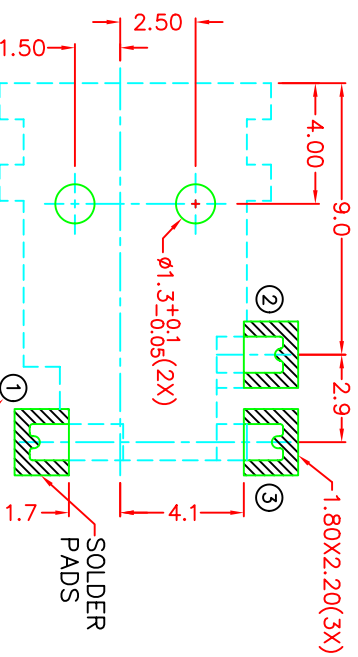


ZONE	SYMBOL	REVISION	APPROVAL	DATE
		DWG. NO. TO REVISE	S. T. CHU	10-10-2003



MATE PLUG

MODEL NO.	TDC-023H-3
SCHEMATIC	
CENTER PIN	∅1.65mm



RECOMMENDED SOLDER PAD LAYOUT

- * MATERIAL**
- TERMINAL 1 : BRASS
 - TERMINAL 2 : COPPER ALLOY
 - TERMINAL 3 : BRASS
 - HOUSING : PA66
 - SILVER PLATING
 - SILVER PLATING
 - SILVER PLATING

SPECIFICATIONS

- 1 Insulation resistance of adjacent open terminals shall not be less than 50 Megohms when measured with 500 Volts resistance meter.
- 2 Connector shall withstand 500 Volts (RMS) between adjacent open terminal for one minute.
- 3 Contact resistance of normally closed terminals shall not exceed 0.03 ohms when measured at a current of one Ampere by Voltage drop method.
- 4 Connector shall withstand 5,000 cycles of insertions and withdrawal with testing plug , contact resistance shall not exceed 0.1 ohm.

JOYNet Enterprise Co., Ltd.
Technology
Precision
Service

PART NAME	HIGH CURRENT SMD DC POWER SOCKET	TOLERANCE UNLESS	0.0±0.2	UNIT:	mm
PART NO.	TDC-023H-3	OTHERWISE SPECIFIED:	0.00±0.1		

DESIGN	T.Y.LI	DATE	10-10-2003	SCALE	4:1
DRAWING	T.Y.LI	DATE	10-10-2003	MATERIAL	*
CHECK		DATE		DWG. NO.	TZ\DC023H-3-PA66
APPROVAL		DATE		SHEET	