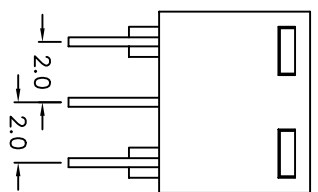
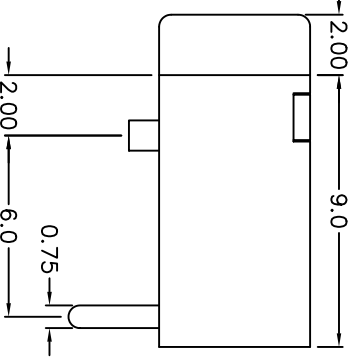
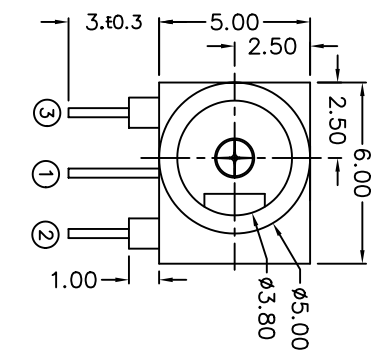
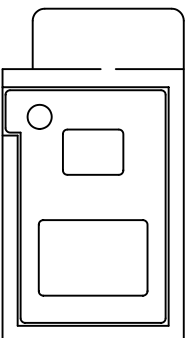


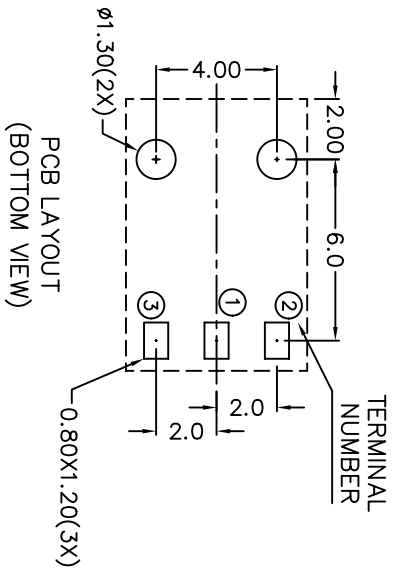
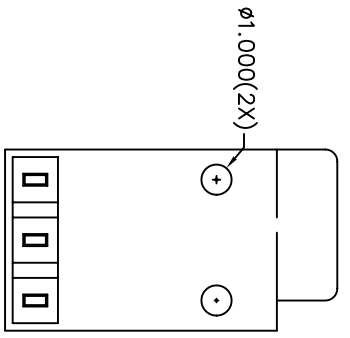
C		B		A	
ZONE	SYMBOL	REVISION	APPROVAL	DATE	
		DWG. NO. TO REVISE	S. T. CHU	10-10-2003	



MODEL NO.	TDC-022
SCHEMATIC	
CENTER PIN	ø1mm
	ø1.3mm

**\* MATERIAL**

- TERMINAL 1 : BRASS
- TERMINAL 2 : COPPER ALLOY
- TERMINAL 3 : BRASS
- HOUSING : PA66
- COVER : PA66



**SPECIFICATIONS**

- 1 Insulation resistance of adjacent open terminals shall not be less than 50 Megohms when measured with 500 Volts resistance meter.
- 2 Connector shall withstand 500 Volts (RMS) between adjacent open terminal for one minute.
- 3 Contact resistance of normally closed terminals shall not exceed 0.03 ohms when measured at a current of one Ampere by Voltage drop method.
- 4 Connector shall withstand 5,000 cycles of insertions and withdrawal with testing plug , contact resistance shall not exceed 0.1 ohm.

**JOYNet Enterprise Co., Ltd.**  
 Technology  
 Profession  
 Service

PART NAME	DC POWER SOCKET	TOLERANCE UNLESS	0.0±0.2	UNIT:	mm
PART NO.	TDC-022	OTHERWISE SPECIFIED:	0.00±0.1		
			0.000±0.05		

DESIGN	J.M.KWAN	DATE	10-10-2003	SCALE	4:1
DRAWING	J.M.KWAN	DATE	10-10-2003	MATERIAL	*
CHECK		DATE		DWG. NO.	TZ\DC022-PA66
APPROVAL		DATE		SHEET	

A DCF-04/A