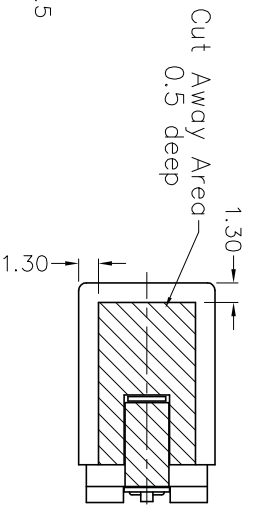
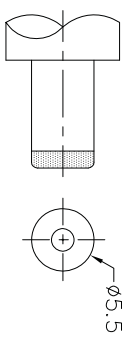
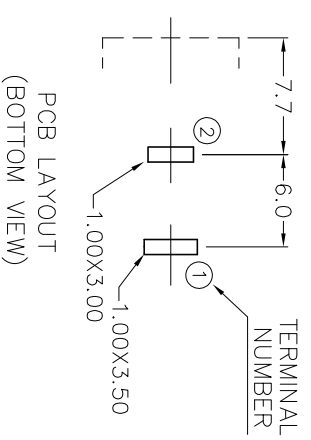
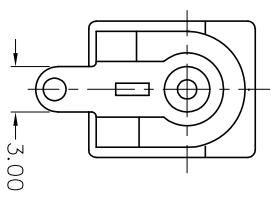
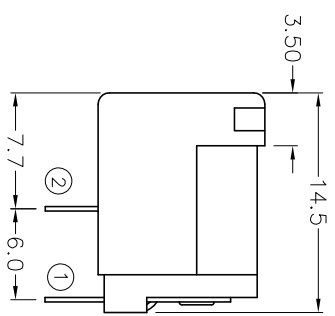
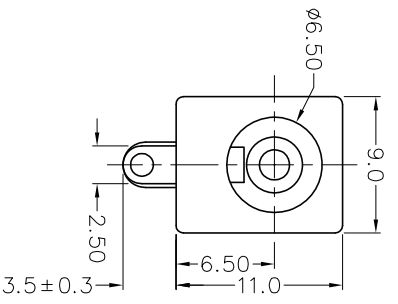
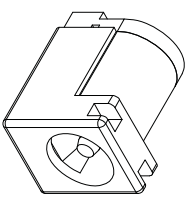


**RoHS**  
Compliant

ZONE	SYMBOL	REVISION	APPROVAL	DATE
		ADD MATE PLUG	J.X.KUANG	25-9-2006



MODEL NO.	TDC-017
SCHEMATIC	1 2
CENTER PIN	φ2mm φ2.5mm

\* MATERIAL  
 TERMINAL 1 : BRASS  
 TERMINAL 2 : COPPER ALLOY  
 CENTER PIN : COPPER  
 HOUSING : PBT  
 COVER : PBT

DC MATE PLUG

**JOYNet** Enterprise Co., Ltd.  
 Technology  
 Protection  
 Service

PART NAME	DC POWER SOCKET	TOLERANCE UNLESS	0.0±0.2 0.00±0.1	UNIT:	mm	DESIGN	J.M.KWAN	DATE	9-10-2003	SCALE	2:1
PART NO.	TDC-017	OTHERWISE SPECIFIED:	0.000±0.05			DRAWING	L.L.ZHANG	DATE	25-9-2006	MATERIAL	*
						CHECK		DATE		DWG. NO.	ITZ\DC017-PBT/B
						APPROVAL		DATE		SHEET	

F E D C B A  
 F E D C B A  
 DCF-04/A