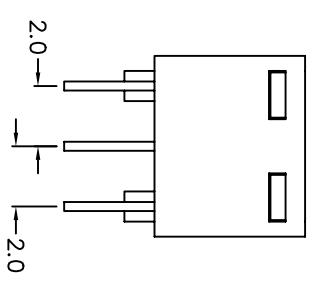
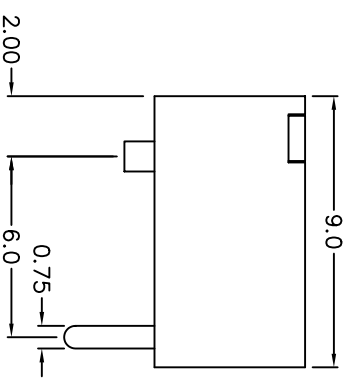
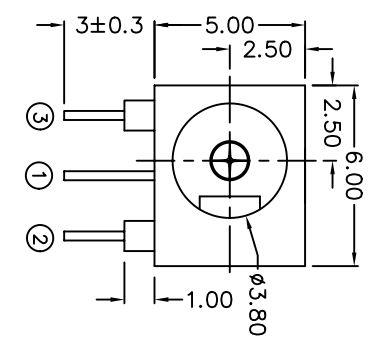
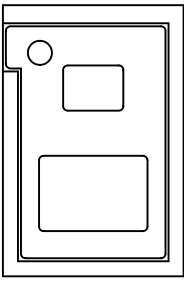
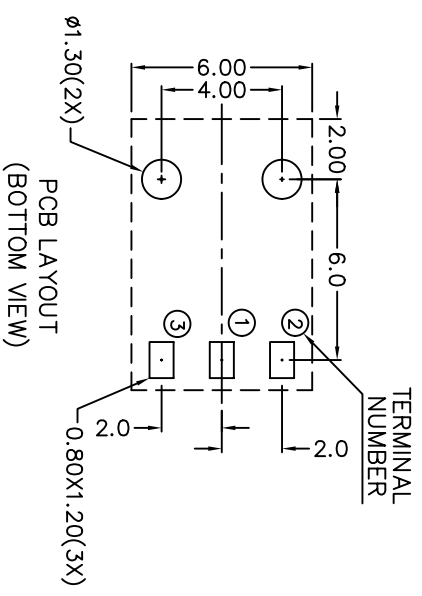
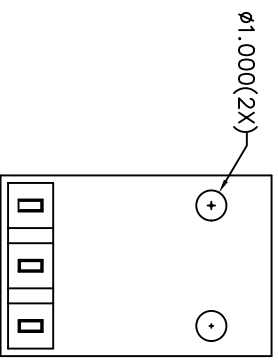


C		B		A	
ZONE SYMBOL	REVISION	APPROVAL	DATE	ZONE SYMBOL	REVISION
	DWG. NO. TO REVISE	S.T.CHU	9-10-2003		



MODEL NO.	TDC-015
SCHMATIC	
CENTER PIN	φ1mm
	φ1.3mm



- \* MATERIAL**
- TERMINAL 1 : BRASS
  - TERMINAL 2 : COPPER ALLOY
  - TERMINAL 3 : BRASS
  - HOUSING : PA66
  - COVER : PA66

**SPECIFICATIONS**

- 1 Insulation resistance of adjacent open terminals shall not be less than 50 Megohms when measured with 500 Volts resistance meter.
- 2 Connector shall withstand 500 Volts (RMS) between adjacent open terminal for one minute.
- 3 Contact resistance of normally closed terminals shall not exceed 0.03 ohms when measured at a current of one Ampere by Voltage drop method.
- 4 Connector shall withstand 5,000 cycles of insertions and withdrawal with testing plug, contact resistance shall not exceed 0.1 ohm.

**JOYNet Enterprise Co., Ltd.**  
 Technology \* Profession \* Service

PART NAME	DC POWER SOCKET	TOLERANCE UNLESS	0.0±0.2	UNIT:	mm	DESIGN	J.M.KWAN	DATE	9-10-2003	SCALE	4:1
PART NO.	TDC-015	OTHERWISE SPECIFIED:	0.00±0.1			CHECK	J.M.KWAN	DATE	9-10-2003	MATERIAL	*
			0.000±0.05			APPROVAL		DATE		DWG. NO.	TZ\DC015-PA66
										SHEET	*

F E D C B A  
 F E D C B A  
 DCF-04/A