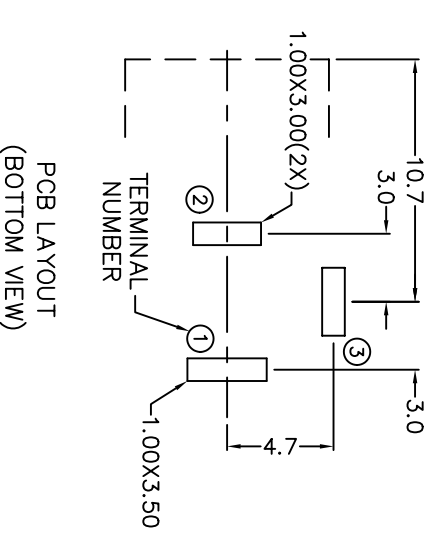
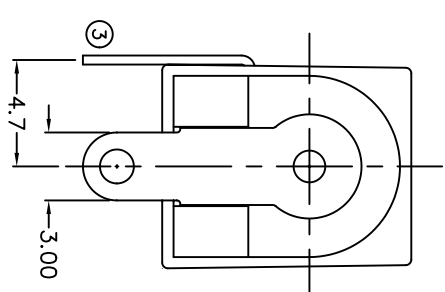
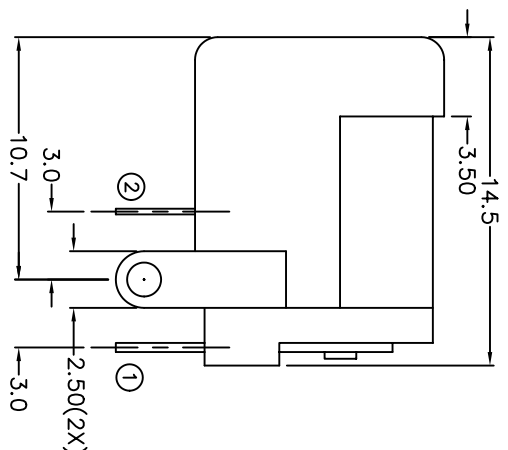
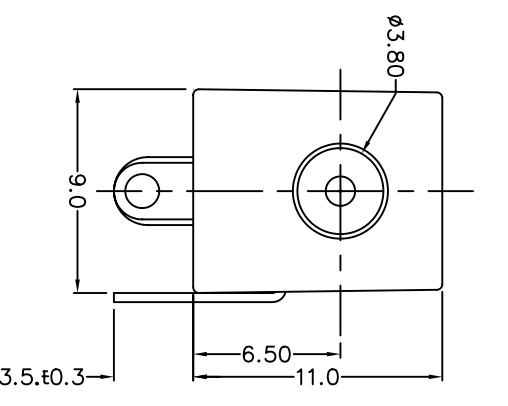


C		B		A	
ZONE	SYMBOL	REVISION	APPROVAL	DATE	
		DWG. NO. TO REVISE	S.T.CHU	9-10-2003	



MODEL NO.	TDC-014-1
SCHEMATIC	
CENTER PIN	φ1mm
	φ1.3mm

*** MATERIAL**
 CENTRE PIN : COPPER
 TERMINAL 1 : BRASS
 TERMINAL 2 : COPPER ALLOY
 TERMINAL 3 : BRASS
 HOUSING : PBT
 COVER : PBT

SPECIFICATIONS

- 1 Insulation resistance of adjacent open terminals shall not be less than 50 Megohms when measured with 500 Volts resistance meter.
- 2 Connector shall withstand 500 Volts (RMS) between adjacent open terminal for one minute.
- 3 Contact resistance of normally closed terminals shall not exceed 0.03 ohms when measured at a current of one Ampere by Voltage drop method.
- 4 Connector shall withstand 5,000 cycles of insertions and withdrawal with testing plug, contact resistance shall not exceed 0.1 ohm.



PART NAME	DC POWER SOCKET	TOLERANCE UNLESS	0.0±0.2	UNIT:		DESIGN	K.Y.AU-YEUNG	DATE	9-10-2003	SCALE	3:1
PART NO.	TDC-014-1	OTHERWISE SPECIFIED:	0.00±0.1	mm		DRAWING	K.Y.AU-YEUNG	DATE	9-10-2003	MATERIAL	*
			0.000±0.05			CHECK		DATE		DWG. NO.	TZ\DC014-1-PBT
						APPROVAL		DATE		SHEET	

F E D C B A DCF-04/A