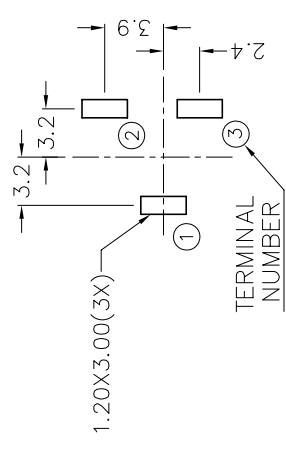
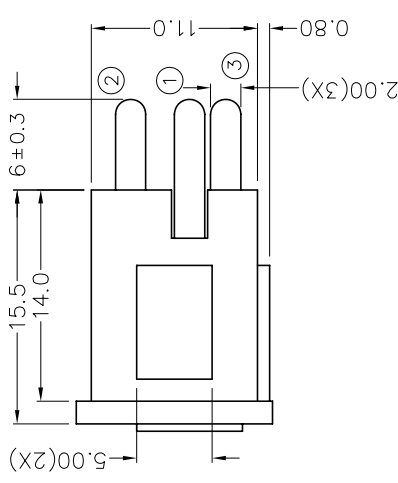
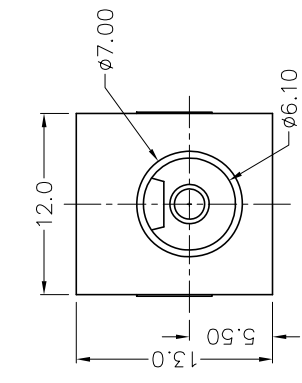
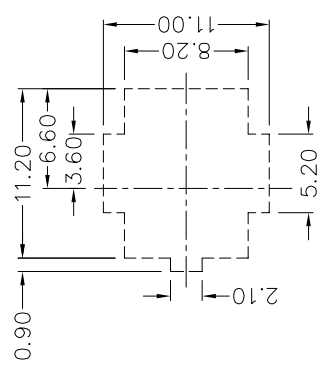
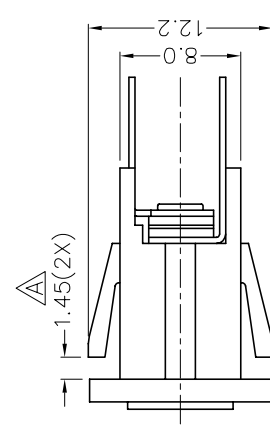


F		E		D		C		B		A	
ZONE		SYMBOL		REVISION		APPROVAL		DATE			
D3		A		1.2 MODIFIED TO 1.45		J.X.KUANG		7-1-2008			

RoHS
Compliant



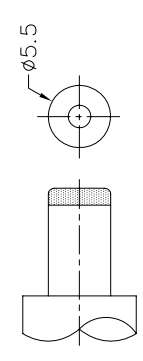
PCB LAYOUT
(BOTTOM VIEW)



PANEL CUT OUT
(BOTTOM VIEW)

- * MATERIAL
- CENTRE PIN : COPPER
 - TERMINAL 1 : BRASS
 - TERMINAL 2 : COPPER ALLOY
 - TERMINAL 3 : BRASS
 - INSULATOR : RESIN LAMINATE
 - HOUSING : PBT

MODEL NO.	TDC-012
SCHEMATIC	
CENTER PIN	φ2mm
	φ2.5mm



DC MATE PLUG

PART NAME		DC POWER SOCKET		TOLERANCE UNLESS OTHERWISE SPECIFIED: 0.00±0.1		UNITS: mm		DESIGN		DATE		SCALE	
PART NO.		TDC-012		0.00±0.1				J.M.KWAN		9-10-2003		2:1	
				0.00±0.05				DRAWING		DATE		MATERIAL	
								L.L.ZHANG		7-1-2008		*	
								CHECK		DATE		DWG. NO.	
								APPROVAL		DATE		TZ\DC012-PBT/C	
												SHEET	
												A	

JOYNet Enterprise Co., Ltd.