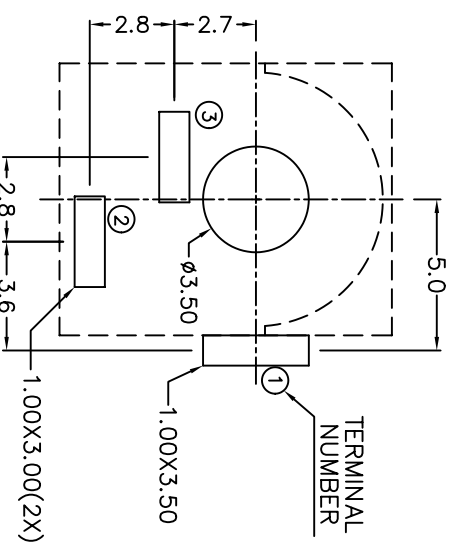
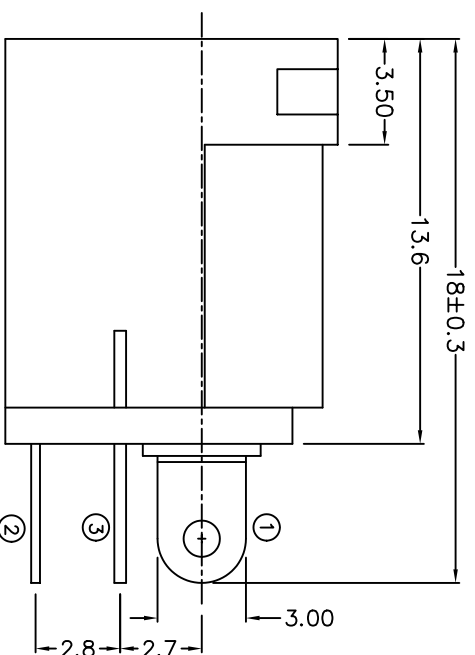
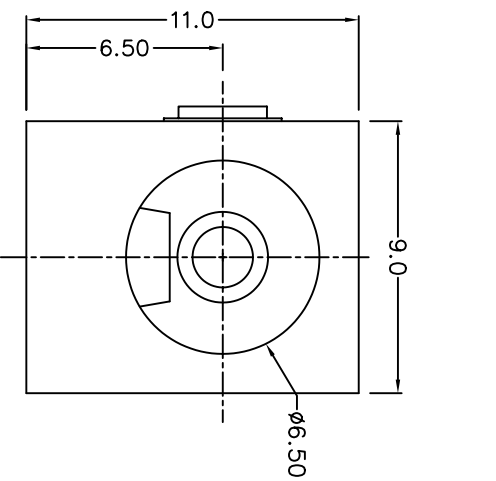
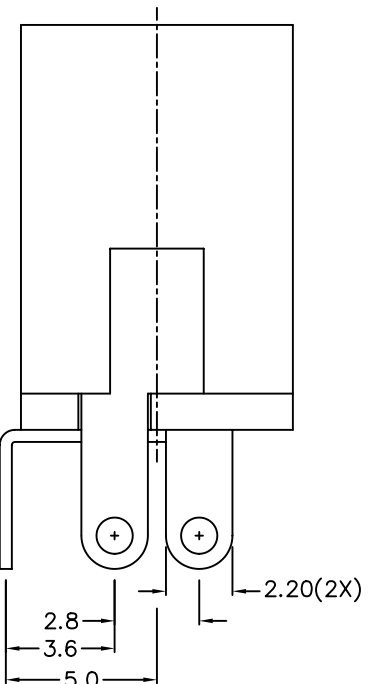


C		B		A	
ZONE	SYMBOL	REVISION	APPROVAL	DATE	
		DWG. NO. TO REVISE	S.T.CHU	9-10-2003	



MODEL NO.	TDC-010H
SCHEMATIC	
CENTER PIN	$\phi 2\text{mm}$
	$\phi 2.5\text{mm}$



* MATERIAL

CENTRE PIN	: BRASS
TERMINAL 1	: BRASS
TERMINAL 2	: COPPER ALLOY
TERMINAL 3	: BRASS
HOUSING	: PBT
COVER	: PBT

PCB LAYOUT
(BOTTOM VIEW)

SPECIFICATIONS

- 1 Insulation resistance of adjacent open terminals shall not be less than 50 Megohms when measured with 500 Volts resistance meter.
- 2 Connector shall withstand 500 Volts (RMS) between adjacent open terminal for one minute.
- 3 Contact resistance of normally closed terminals shall not exceed 0.03 ohms when measured at a current of one Ampere by Voltage drop method.
- 4 Connector shall withstand 5,000 cycles of insertions and withdrawal with testing plug, contact resistance shall not exceed 0.1 ohm.

JOYNet Enterprise Co., Ltd.

Technology
Profession
Service

PART NAME	HIGH CURRENT DC POWER SOCKET	TOLERANCE UNLESS	0.0 \pm 0.2	UNIT:	mm
PART NO.	TDC-010H	OTHERWISE SPECIFIED:	0.00 \pm 0.1		

F

E

D

C

B

A

DCF-04/A

F

E

D

C

B

A

1

2

3

4

1

2

3

4

Technology
Profession
Service

PART NAME	HIGH CURRENT DC POWER SOCKET	TOLERANCE UNLESS	0.0 \pm 0.2	UNIT:	mm
PART NO.	TDC-010H	OTHERWISE SPECIFIED:	0.00 \pm 0.1		

F

E

D

C

B

A

DCF-04/A