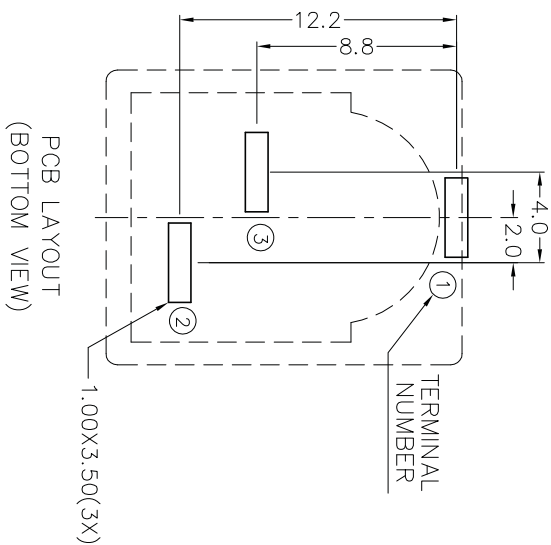
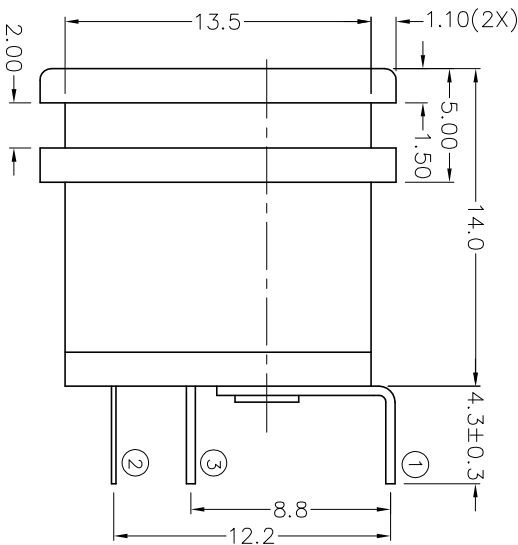
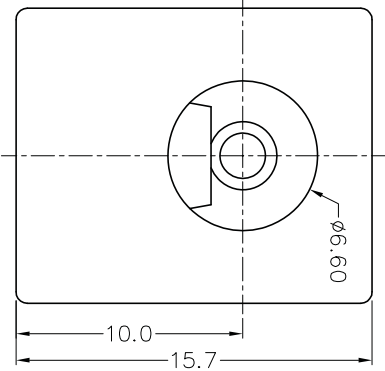
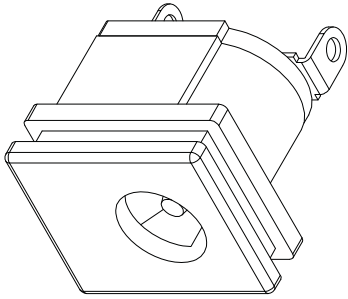
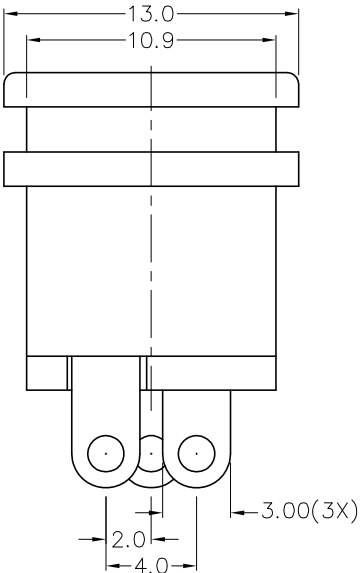
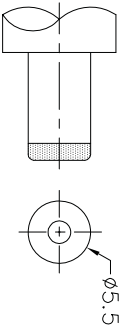


ROHS
Compliant

C		B		A	
ZONE	SYMBOL	REVISION	APPROVAL	DATE	
		ADD MATE PLUG	J.X.KUANG	21-9-2006	



* MATERIAL
 CENTRE PIN : COPPER
 TERMINAL 1 : BRASS
 TERMINAL 2 : COPPER ALLOY
 TERMINAL 3 : BRASS
 HOUSING : PBT
 COVER : PBT



MODEL NO.	TDC-008
SCHEMATIC	
CENTER PIN	ø1.65mm
	ø2mm
	ø2.5mm

DC MATE PLUG

JOYNet Enterprise Co., Ltd.
 Technology
 Profession
 Service

PART NAME DC POWER SOCKET
 PART NO. TDC-008

TOLERANCE UNLESS OTHERWISE SPECIFIED: 0.00±0.05

UNIT: mm



DESIGN J.X.KUANG
 DRAWING L.L.ZHANG
 CHECK
 APPROVAL

DATE 3-7-2004
 DATE 21-9-2006
 DATE

SCALE 3:1
 MATERIAL *
 DWG. NO. TZ\DC008-PBT/C
 SHEET

F

E

D

C

B

A

DCF-04/A