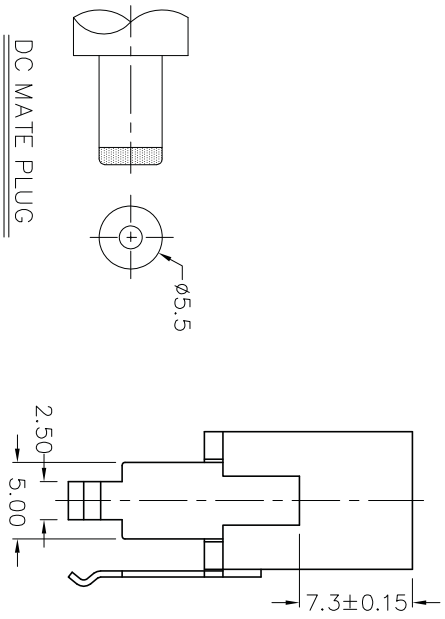
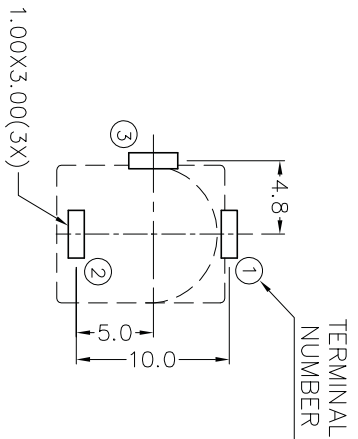
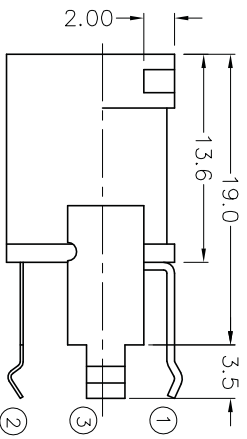
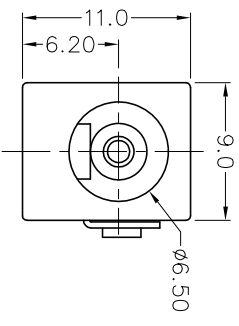
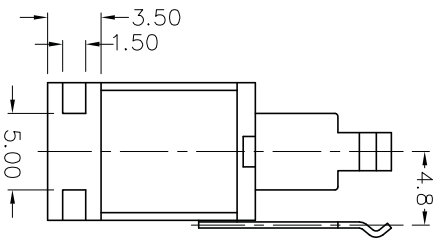
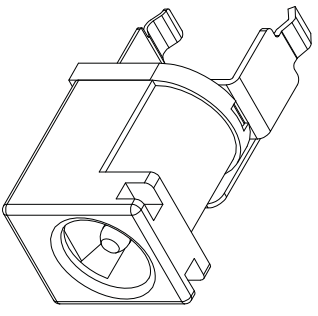


ZONE	SYMBOL	REVISION	APPROVAL	DATE
D4		ADD CENTER PIN ITEM	J.X.KUANG	8-6-2007

RoHS
Compliant



MODEL NO.	TDC-006			
SCHEMATIC	1, 2, 3			
CENTER PIN	<table border="1"> <tr> <td>∅2mm</td> </tr> <tr> <td>∅2.35mm</td> </tr> <tr> <td>∅2.5mm</td> </tr> </table>	∅2mm	∅2.35mm	∅2.5mm
∅2mm				
∅2.35mm				
∅2.5mm				

* MATERIAL
 CENTRE PIN : COPPER
 TERMINAL 1 : BRASS
 TERMINAL 2 : COPPER ALLOY
 TERMINAL 3 : BRASS
 HOUSING : PBT
 COVER : PBT

JOYNet Enterprise Co., Ltd.
 Technology
 Profession
 Service

PART NAME	DC POWER SOCKET	TOLERANCE UNLESS	0.0±0.2	UNIT:	mm	DESIGN	J.JIANG	DATE	4-6-2004	SCALE	2:1
PART NO.	TDC-006	OTHERWISE SPECIFIED:	0.000±0.1			DRAWING	T.Y.LI	DATE	8-6-2007	MATERIAL	*
			0.000±0.05			CHECK		DATE		DWG. NO.	TZ\DC006-PBT/C
						APPROVAL		DATE		SHEET	

F E D C B A