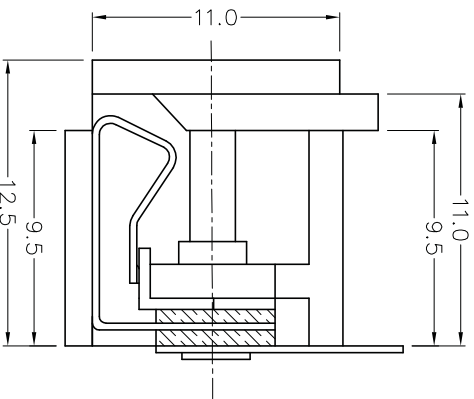
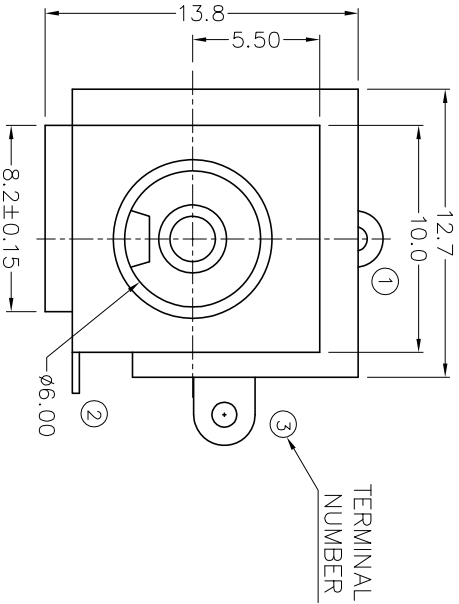
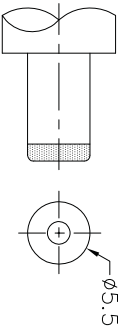


RoHS  
Compliant

ZONE	SYMBOL	REVISION	APPROVAL	DATE
		ADD MATE PLUG	J.X.KUANG	20-9-2006



MODEL NO.	TDC-004			
SCHEMATIC				
CENTER PIN	<table border="1"> <tr> <td>ø2mm</td> </tr> <tr> <td>ø2.35mm</td> </tr> <tr> <td>ø2.5mm</td> </tr> </table>	ø2mm	ø2.35mm	ø2.5mm
ø2mm				
ø2.35mm				
ø2.5mm				



DC MATE PLUG

**JOYNet** Enterprise Co., Ltd.  
Technology, Profession, Service

PART NAME DC POWER SOCKET  
PART NO. TDC-004

TOLERANCE UNLESS OTHERWISE SPECIFIED:  
0.0±0.2  
0.00±0.1  
0.000±0.05



DESIGN	K.Y.AU-YEUNG	DATE	8-10-2003	SCALE	3:1
DRAWING	L.L.ZHANG	DATE	20-9-2006	MATERIAL	*
CHECK		DATE		DWG. NO.	TZ\DC004-PBT/B
APPROVAL		DATE		SHEET	

\* MATERIAL  
CENTRE PIN : COPPER  
TERMINAL 1 : BRASS  
TERMINAL 2 : COPPER ALLOY  
TERMINAL 3 : BRASS  
INSULATOR : PBT  
HOUSING : PBT