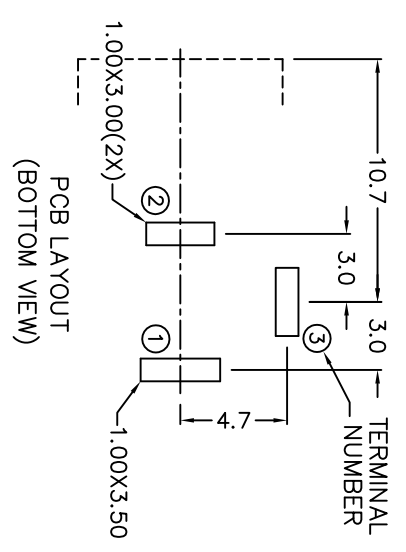
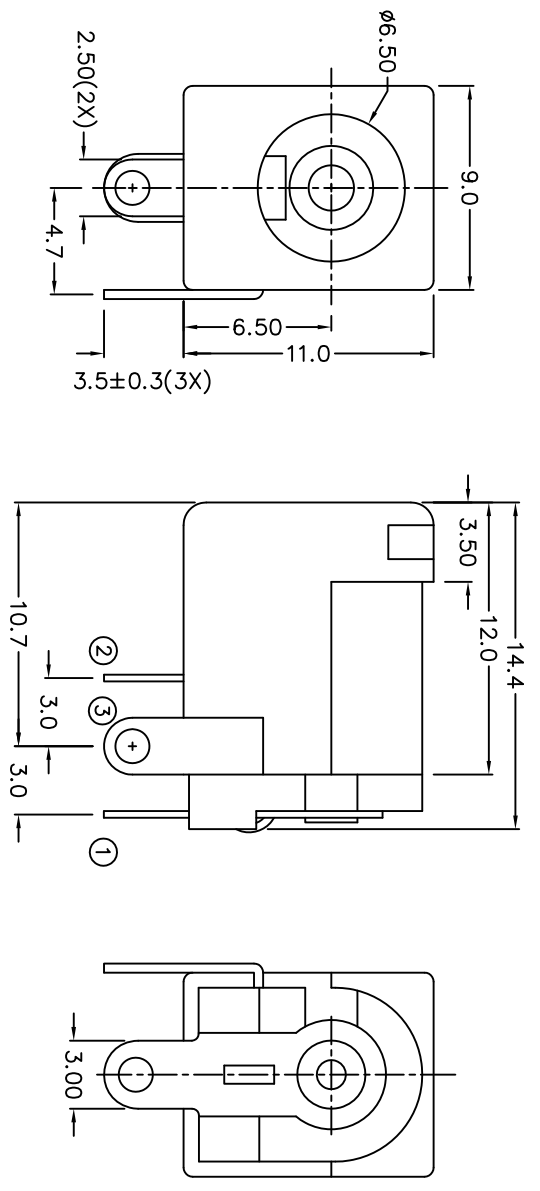


C		B		A	
ZONE	SYMBOL	REVISION	APPROVAL	DATE	
E3		ADD CENTER PIN ITEM	S.T.CHU	16-1-2004	



MODEL NO.	TDC-002-1
SCHEMATIC	
CENTER PIN	$\phi 1.65\text{mm}$
	$\phi 2\text{mm}$
	$\phi 2.5\text{mm}$

SPECIFICATIONS

- Insulation resistance of adjacent open terminals shall not be less than 50 Megohms when measured with 500 Volts resistance meter.
- Connector shall withstand 500 Volts (RMS) between adjacent open terminal for one minute.
- Contact resistance of normally closed terminals shall not exceed 0.03 ohms when measured at a current of one Ampere by Voltage drop method.
- Connector shall withstand 5,000 cycles of insertions and withdrawal with testing plug, contact resistance shall not exceed 0.1 ohm.

\* MATERIAL  
 CENTRE PIN : COPPER  
 TERMINAL 1 : BRASS  
 TERMINAL 2 : COPPER ALLOY  
 TERMINAL 3 : BRASS  
 HOUSING : PBT  
 COVER : PBT

JOYNet Enterprise Co., Ltd. <small>Technology Profession Service</small>		DESIGN	J.M.KWAN	DATE	16-1-2004	SCALE	3:1
PART NAME	DC POWER SOCKET	DRAWING	J.M.KWAN	DATE	16-1-2004	MATERIAL	*
PART NO.	TDC-002-1	CHECK		DATE		DWG. NO.	TZ\DC002-1-PBT/B
		APPROVAL		DATE		SHEET	